



Electronic Service Manuals

This electronic document is provided as a service to our customers. We do not create the contents of the information contained in this document. Should you have detailed questions pertaining to the information contained in this document, you may contact Michco, or the manufacturer which provided the original information in this electronic deliverable. Michco's only part in this electronic deliverable was the electronic assembly process. By providing this manual on line we are not guaranteeing parts availability.

You may contact Michco through the following methods:

Phone (517) 484-9312 or (800) 331-3339

2011 N. High St. -- Lansing, Michigan -- 48906

Fax: (517) 484-9836

Email: CustServe@Michco.com

Web site: www.Michco.Com

Parts Web site: www.FloorMachineParts.Com

Order Parts on Line at:

www.FloorMachineParts.Com

Directly to Parts & Service:

By Email: **Shop@Michco.com**

By Fax: (517) 702-2041

By Voice: Use numbers above.

Serving the Cleaning Industry Since 1922

Notice: All copyrighted material remains property of original owners, all trademarks are property of respective owners. Manuals are subject to Manufacturer's reproduction limitations. Originals or reproductions were provided by manufacturers through a request. We make no warranty as to the correctness of information provided in this document and you assume all risk. By placing these manuals on line we are not declaring our corporation to be an manufacturer authorized dealer or provider, please check our web site for authorized manufacturers we represent.

Minuteman[®]



**Parts Manual
E Ride 30 Riding Scrubber**

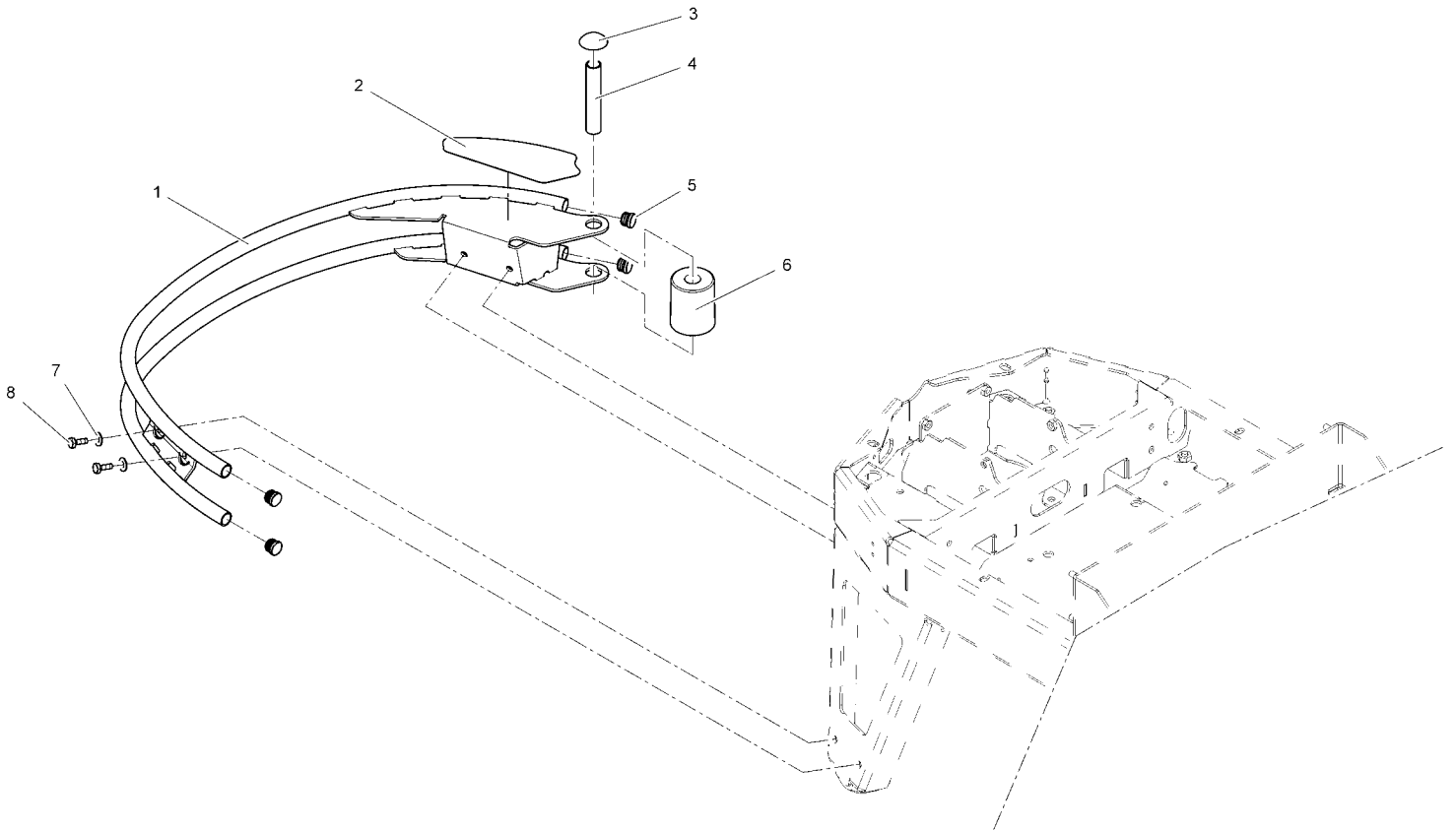
For Safety When Servicing or Maintaining Machine

- Stop on level surface.
- Disconnect the power to the machine by pulling the red Battery Connector located under the recovery tank near the batteries.
- Avoid moving parts. Do not wear loose jackets, shirts, or sleeves when working on machine.
- Avoid contact with battery acid. Battery acid can cause burns. When working on or around batteries, wear protective clothing and safety glasses. Remove metal jewelry. Do not lay tools or metal objects on top of batteries.
- Do not clean machine with a pressure washer.
- Authorized personnel must perform repairs and maintenance. Use Minuteman supplied replacement parts.

Table of Contents

Front bounce protection	4
Wheel suspension	6
Chassis	8
.....	10
Steering	12
Seat bracket	14
Drive sensor (available; no.: 06001800).....	16
Pedal, brake - Parking brake	18
Wiper, R.H. and L.H.	20
Tank (Available! No.: 03009040)	22
Hopper cover.....	26
Suction unit.....	28
Lifting assy suction base unit part1	30
Lifting assy suction base unit part2	32
Squeegee 950mm part 1	34
Squeegee 950mm part 2	36
Disk brush lifting	38
Disk brush head	44
Electrics, part 1	48
Electrics, part 2	54
Wiring without On-board-charger	58
Labels	60

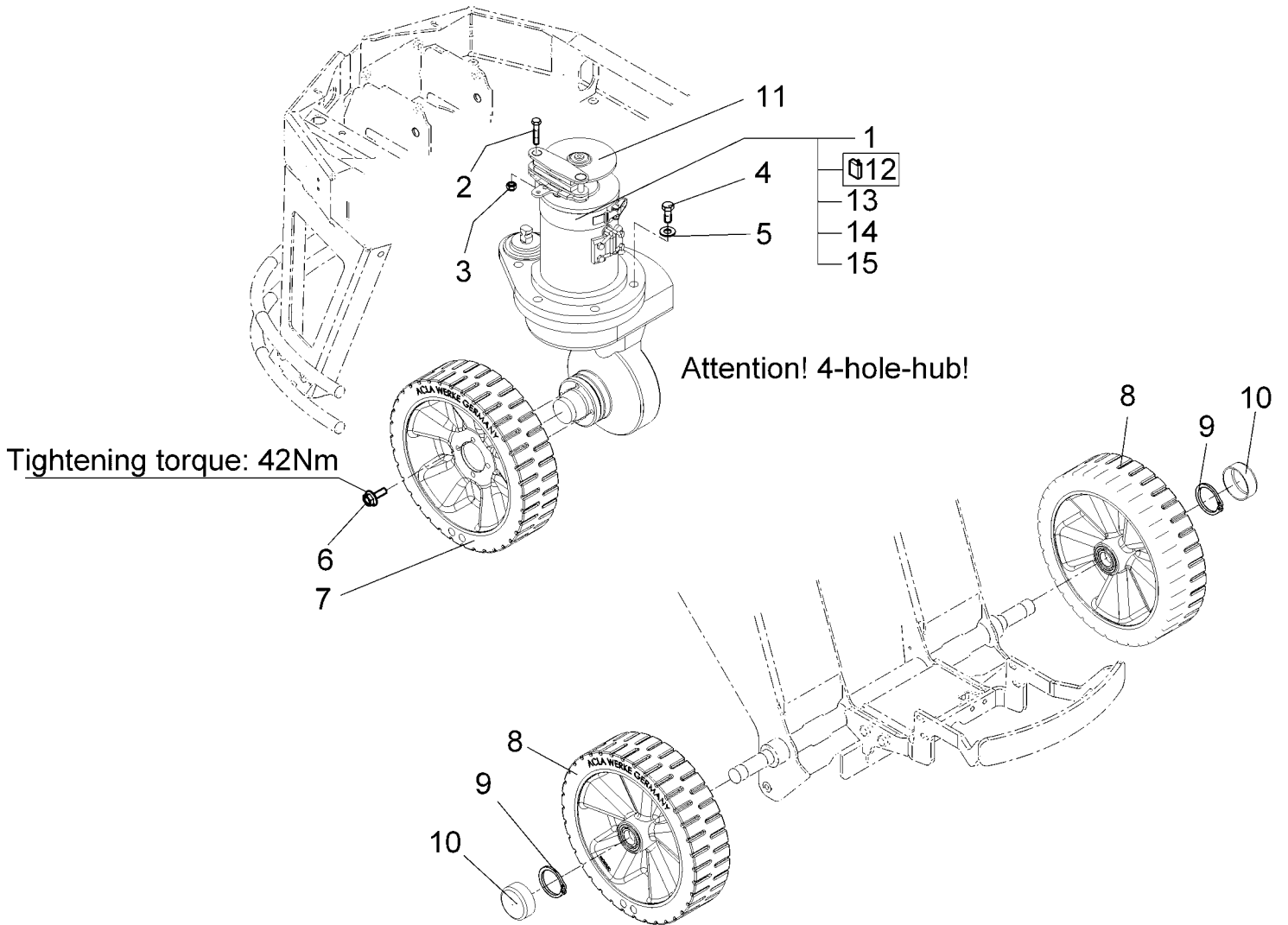
Front bounce protection
Rev.C 12/11



Front bounce protection (97116834)
Rev.C 12/11

Item	Spare part number	Description	Qty.	Remarks
1	01071630	Tube bow	1	
2	01071230	Decal	1	
3	00072270	Thrust washer	1	
4	00901590	Pipe	1	
5	01073310	Drain plug	4	
6	01057290	Rejecting role	1	
7	00740090	Detent edged washer	4	
8	00053090	Hexagon screw	4	

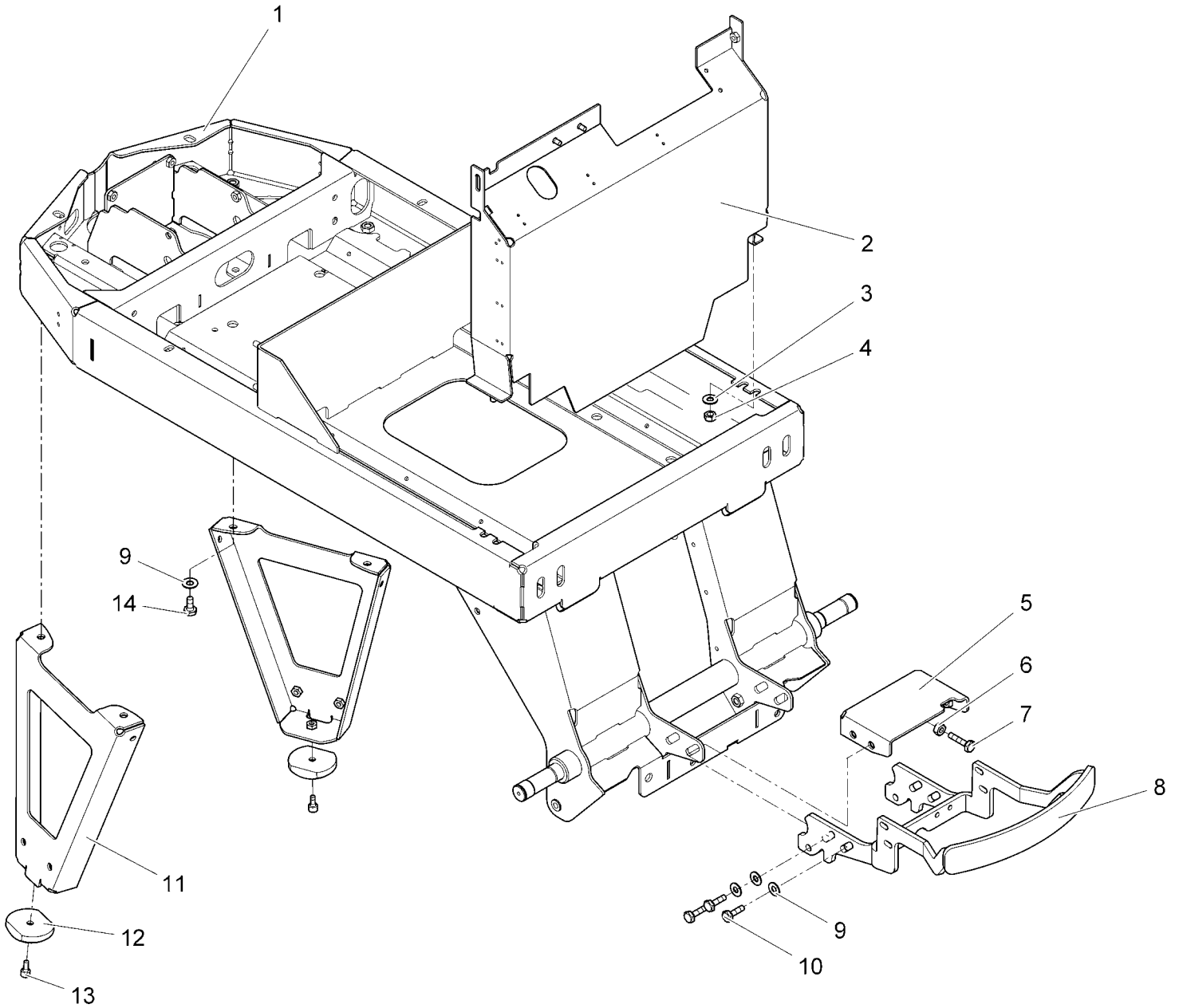
Wheel suspension
Rev.C 12/11



Wheel suspension (97103725)
Rev.C 12/11

Item	Spare part number	Description	Qty.	Remarks
1	01175310	One wheel drive	1	
2	00535110	Hex.bolt	2	
3	00051520	Hexagon nut	2	
4	00055460	Hex.bolt	6	
5	00740290	Detent edged washer	6	
6	01171260	Hexagon screw	4	Tightening torque: 42 Nm
7	01175320	Wheel	1	
8	01071650	Wheel	2	
9	00022460	Retaining ring	2	
10	01171530	Cap	2	
11	01073660	Brake repair set	1	
12	01075790	Set (4pc.) carbon brush	1	
13	01174180	Cap	1	
14	01174190	Protecting ring	1	
15	01274270	Geared ring	1	

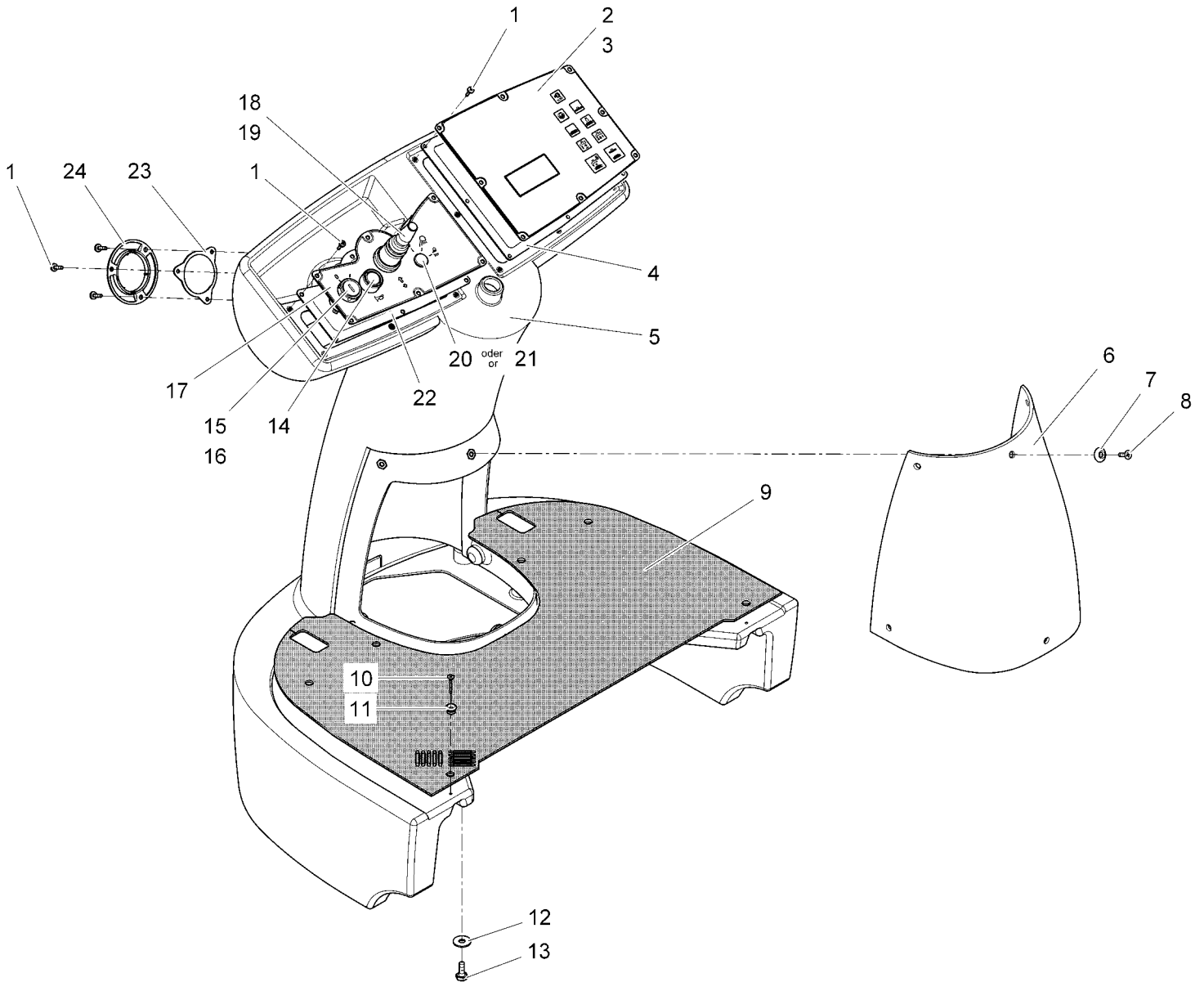
Chassis
Rev.C 12/11



Chassis (97115422)
Rev.C 12/11

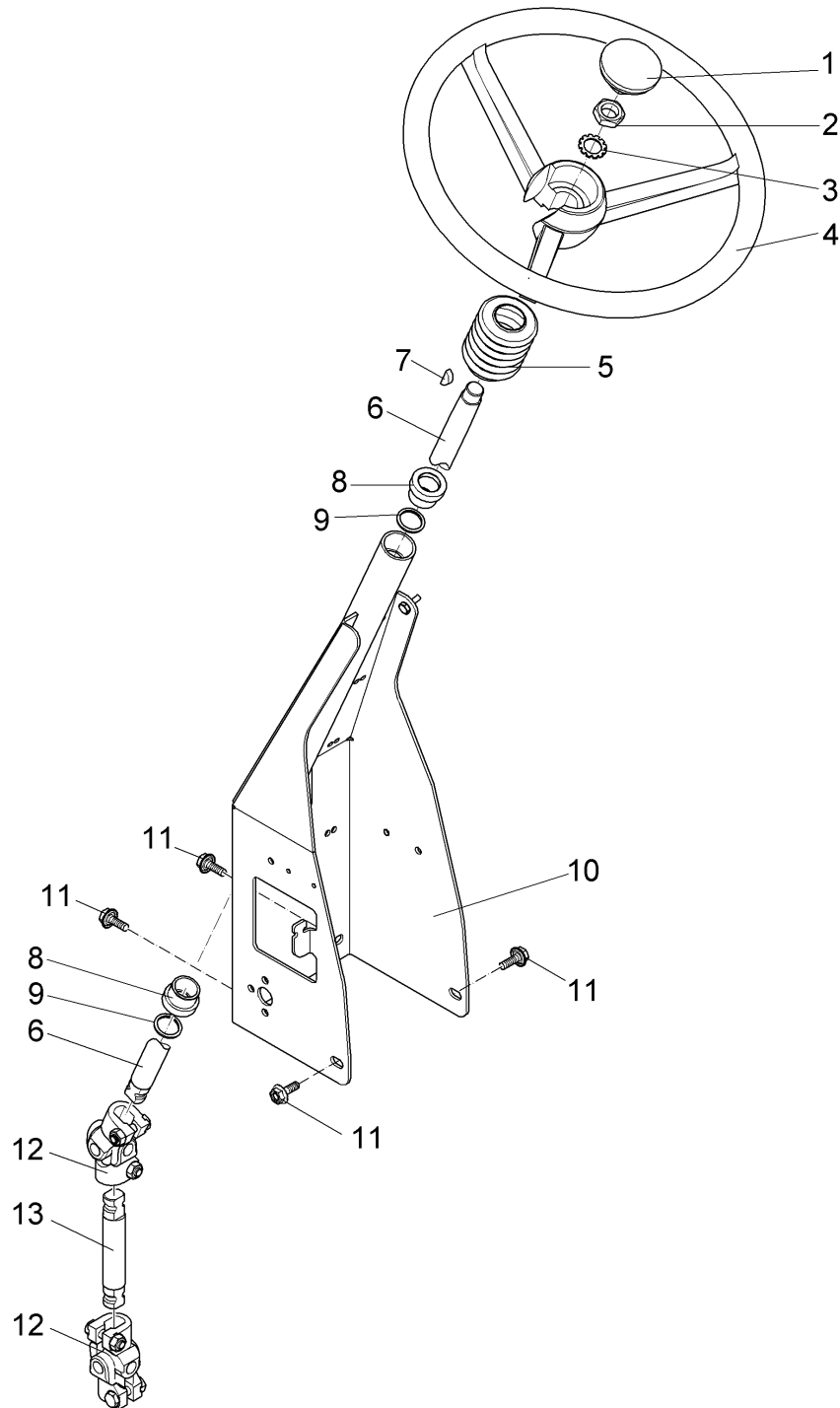
Item	Spare part number	Description	Qty.	Remarks
1	03009870	Chassis	1	
2	03000260	Sheet metal	2	
3	00740090	Detent edged washer	2	
4	00053350	Hexagon nut	2	
5	03000270	Plate, cpl.	1	
6	00053360	Hexagon nut	1	
7	00053170	Hexagon screw	1	
8	01071640	Starting protection rear side	1	
9	00740290	Detent edged washer	10	
10	00053170	Hexagon screw	6	
11	01071240	Support plate	2	
12	01070970	Stay	2	
13	00154410	Cylinder head screw	2	
14	00021130	Hex.bolt	4	

Rev.C 12/11



(97114763)
Rev.C 12/11

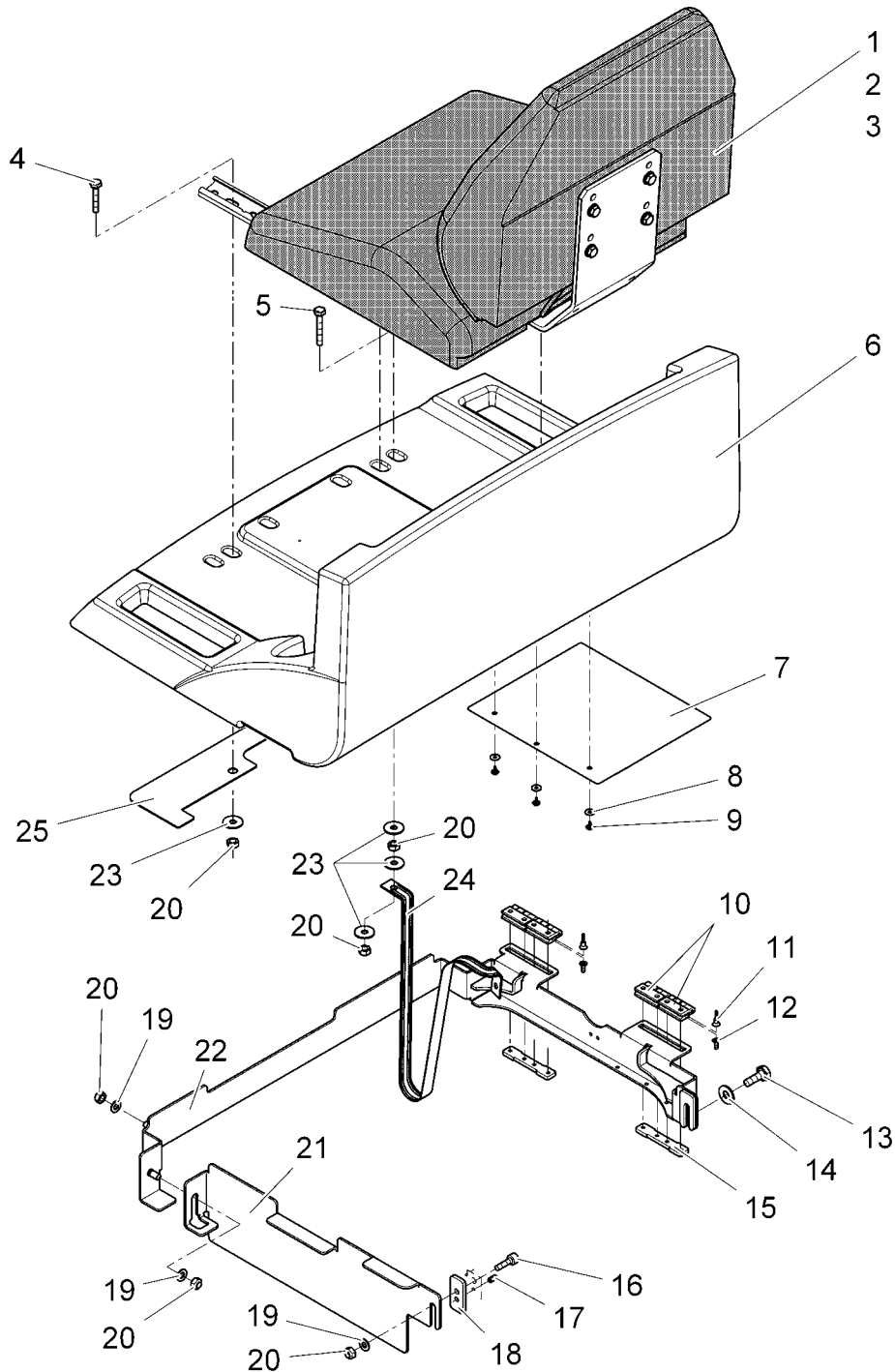
Item	Spare part number	Description	Qty.	Remarks
1	01072790	Truss head screw	17	
2	01273600	Control panel	1	
3	XXXXXXXX	no part-No. til yet	1	
4	01070980	Seal	1	
5	01073070	Steering	1	
6	01170930	Hood	1	
7	00157690	Annular plate	6	
8	00154680	Countersunk screw	6	
9	01071680	Bottom plate	1	
10	01073120	Amtec screw	6	
11	01073130	Knob	6	
12	00740080	Washer	4	
13	00553690	Hex.bolt	4	
14	00133770	Press switch	1	
15	00021710	Key switch	1	
16	00745890	Set (2pc.) key	1	
17	01274090	Sheet metal	1	
18	00697630	Switch	1	
19	01074110	Rubber cap	1	
20	00740360	Cable sleeve	1	
21	01073320	Rotary switch	1	
22	01070990	Seal	1	
23	01072000	Seal	1	
24	03000280	Cap	1	



Steering (97073738)
 Rev.C 12/11

Item	Spare part number	Description	Qty.	Remarks
1	01140650	Cap	1	
2	00074350	Hex. Nut	1	
3	00075290	Toothed washer	1	
4	00770220	Steering wheel	1	
5	01054880	Bellows	1	
6	00980760	Shaft	1	
7	00153600	Woodruff key	1	
8	00523630	Bushing	2	
9	00554400	O-ring oil resistant	2	
10	03000320	Holder steering wheel	1	
11	00959310	Hex.bolt	4	
12	00746040	Cardan joint	2	
13	00975430	Shaft	1	

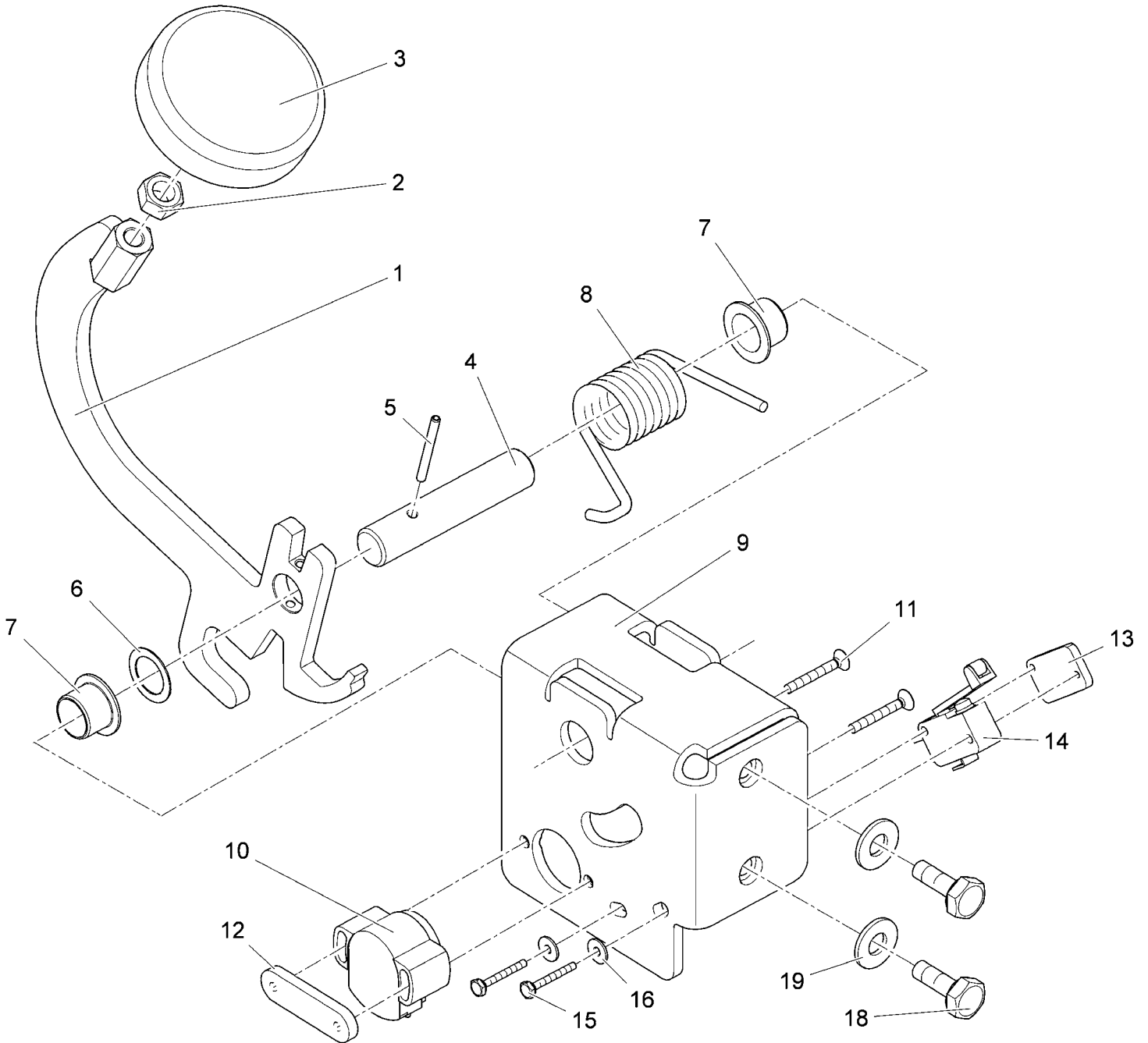
Seat bracket
Rev.C 12/11



Seat bracket (97118616)
Rev.C 12/11

Item	Spare part number	Description	Qty.	Remarks
1	01071360	Seat	1	
2	01073290	Micro switch	1	
3	XXXXXXXXX	no part-No. til yet	1	
4	00133700	Hexagon screw	3	
5	00053260	Hex.bolt	1	
6	03010250	Seat group	1	
7	01078280	Bag	1	
8	00557150	Washer	3	
9	01170850	Screw	3	
10	00029230	Hinge	4	
11	01063420	Self tapping screw	8	
12	00073160	Countersunk screw	8	
13	00053090	Hexagon screw	1	
14	00740090	Detent edged washer	1	
15	01072970	Adjusting latch	2	
16	00103300	Socket head screw	1	
17	00107140	Dowel pin	1	
18	01072960	Adjusting latch	2	
19	00053750	Washer	4	
20	00051510	Hexagon nut	9	
21	03000620	Intermediate sheet	1	
22	03000340	Plate	2	
23	00042900	Washer	6	
24	01055740	Belt	1	
25	03000630	Plate contact	1	

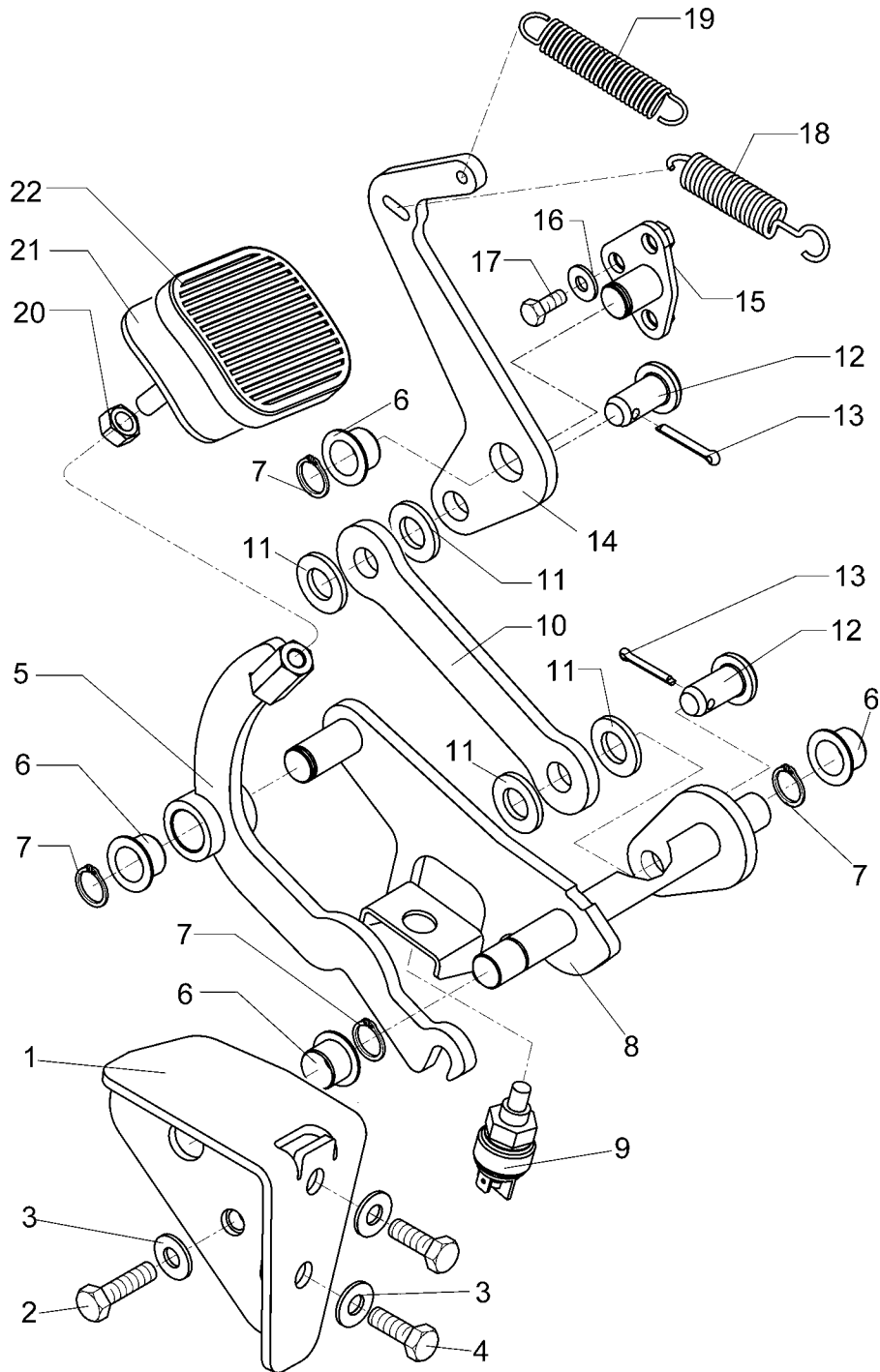
Drive sensor (available; no.: 06001800)
Rev.C 12/11



Drive sensor (available; no.: 06001800) (06001800)
Rev.C 12/11

Item	Spare part number	Description	Qty.	Remarks
1	01071260	Cam	1	
2	00053350	Hexagon nut	1	
3	01071270	Sealing cover	1	
4	01071280	Shaft	1	
5	01073260	Dowel pin	1	
6	00906020	Adjusting washer	1	
7	01058400	Plain bearing bush	2	
8	01073140	Leg spring	1	
9	03000300	U-bow	1	
10	01058390	Potentiometer, cpl.	1	
11	00737690	Countersunk screw	1	
12	01074850	Thread base plate	1	
13	01074840	Thread base plate	1	
14	00975510	Micro switch	2	
15	00022180	Hex.bolt	2	
16	00747400	Washer	2	
18	00053090	Hexagon screw	2	
19	00740090	Detent edged washer	2	

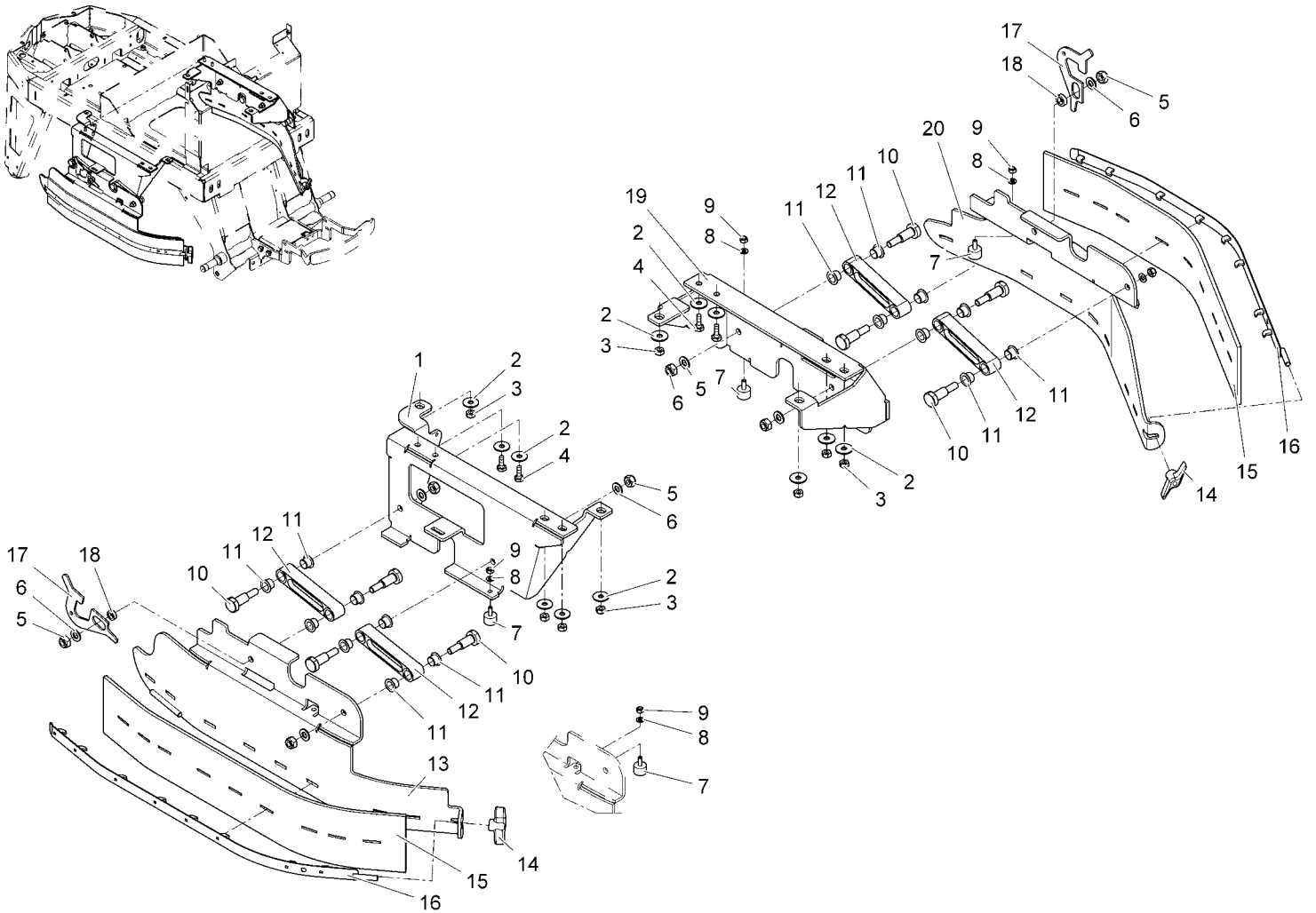
Pedal, brake - Parking brake
Rev.C 12/11



Pedal, brake - Parking brake (97075386)
Rev.C 12/11

Item	Spare part number	Description	Qty.	Remarks
1	03000310	Angle, cpl.	1	
2	00053110	Hexagon screw	1	
3	00740090	Detent edged washer	3	
4	00053090	Hexagon screw	2	
5	01071290	Lever	1	
6	01058400	Plain bearing bush	5	
7	00022440	Retaining ring	4	
8	01071300	Lever	1	
9	00028680	Stop light switch	1	
10	01071310	Bracket	1	
11	00053770	Washer	4	
12	00901510	Bolt	2	
13	00553580	Cotter pin	2	
14	01071320	Lever	1	
15	01071330	Pin	1	
16	00730940	Detent edged washer	3	
17	00104500	Hexagon screw	3	
18	00127400	Tension spring	1	
19	00851210	Tension spring	1	
20	00053350	Hexagon nut	1	
21	01071340	Pedal plate	1	
22	01071350	Pedal rubber	1	

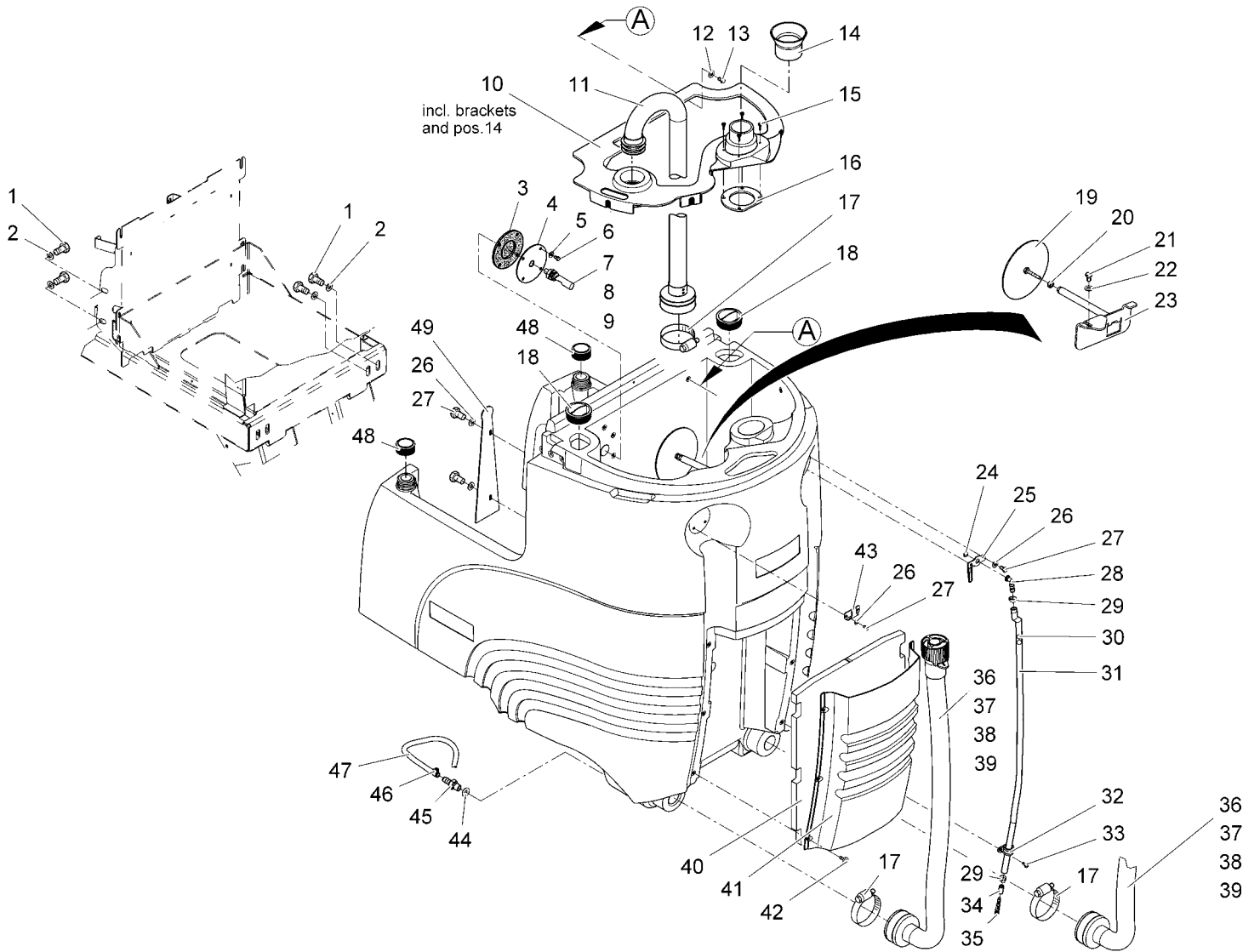
Wiper, R.H. and L.H.
Rev.C 12/11



Wiper, R.H. and L.H. (97117915-97117865)
Rev.C 12/11

Item	Spare part number	Description	Qty.	Remarks
1	01274010	Retainer L.H.	1	
2	00042900	Washer		
3	00051510	Hexagon nut		
4	00131730	Hex.bolt		
5	00051500	Hexagon nut		
6	00053760	Washer		
7	00854090	Stop buffer	4	
8	00053730	Washer		
9	00051520	Hexagon nut		
10	01073910	fitting screw	8	
11	01073860	slide bearing bush	16	
12	01073870	lever	4	
13	01274110	Strut L.H.	1	
14	00101470	Wing nut	2	
15	01073890	squeegee strip	2	
16	01076840	Tension band	2	
17	01073880	lock hook	2	
18	01073900	spacer sleeve	2	
19	01274020	Retainer R.H.	1	
20	01274100	Truss R.H.	1	

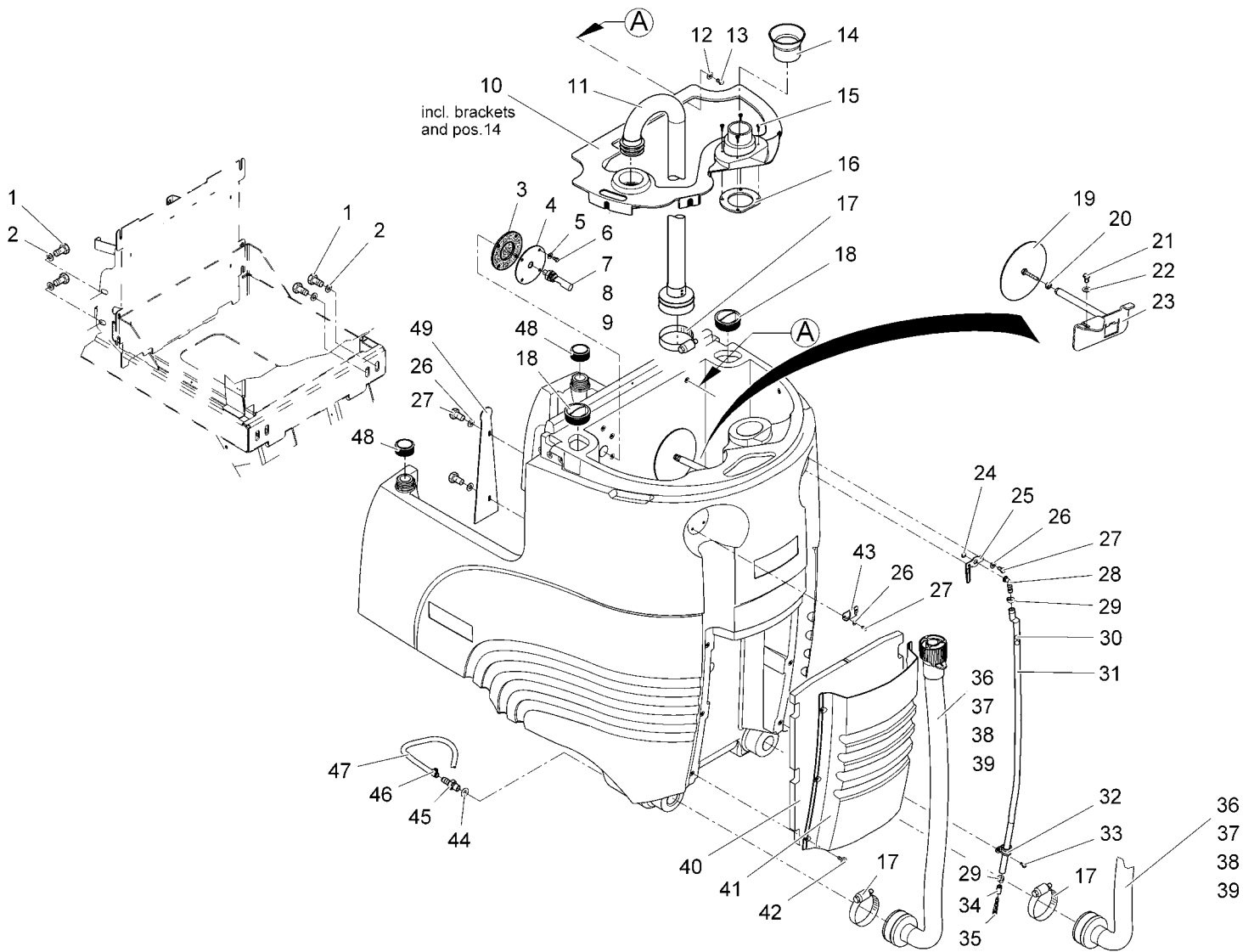
Tank (Available! No.: 03009040)
 Rev.C 12/11



Tank (Available! No.: 03009040) (03009040)
 Rev.C 12/11

Item	Spare part number	Description	Qty.	Remarks
1	00053090	Hexagon screw	8	
2	00879170	Washer	8	
3	03000360	Sheet metal	1	
4	01070910	Seal	1	
5	00102150	Washer	4	
6	01071890	Hex.bolt	4	
7	00861620	Float switch	1	
8	00903180	Plastic cover	1	
9	00903170	Tab	1	
10	01076000	Swash guard	1	
11	01075980	Hose	1	
12	00854210	Washer	5	
13	01071890	Hex.bolt	5	
14	01076650	Connection	1	
15	01179350	Screw	4	
16	01075990	Gasket	1	
17	00736200	Hose clamp	3	
18	01075490	plug	2	
19	03000380	Pressure plate	1	
20	00971400	Hexagon nut	1	
21	01071740	Hex.bolt	1	
22	00902280	Washer	1	
23	03000370	Support, cpl.	1	
24	00045750	O-ring oil resistant	1	
25	01171470	Hose support	1	
26	00053720	Washer	3	
27	00054680	Hex.bolt	3	
28	01171490	Angle socket	1	
29	01171480	Hose clamp	1	
30	01072170	Ball	2	
31	01071790	Hose	780mm	
32	00130250	Pipe clamp	1	
33	00051320	Fillister-head screw	1	
34	01064890	Hose	20 mm	

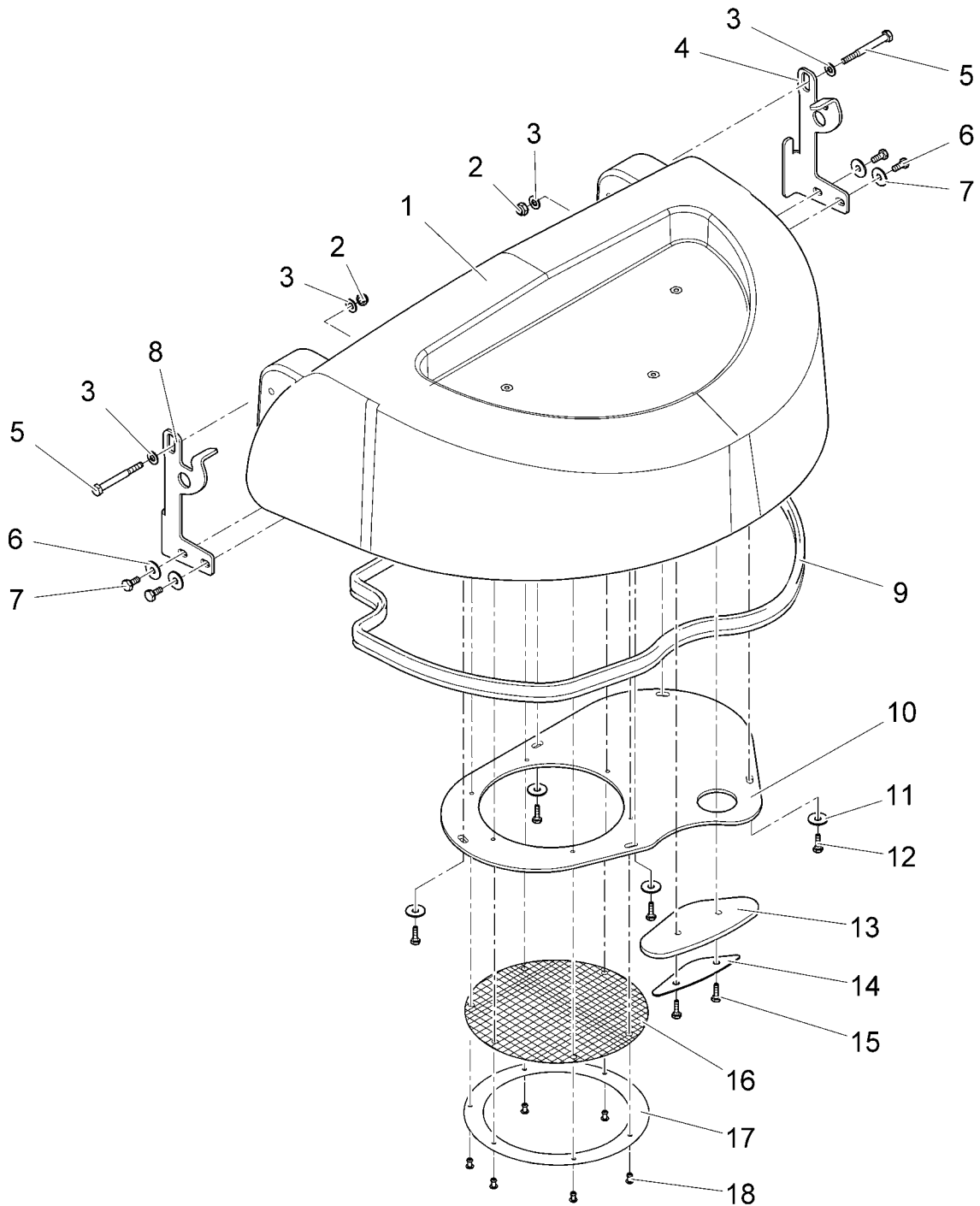
Tank (Available! No.: 03009040)
 Rev.C 12/11



Tank (Available! No.: 03009040) (03009040)
Rev.C 12/11

Item	Spare part number	Description	Qty.	Remarks
35	01161210	Reducing fitting	1	
36	01072160	Hose, cpl.	2	
37	00906110	Cover	2	
38	00906100	Fillister-head screw	4	
39	00107270	O-ring	2	
40	01072150	Insulating mat	1	
41	01173620	Cover	1	
42	00556950	Fillister-head screw	6	
43	00903160	Hook	1	
44	00057720	O-ring oil resistant	1	
45	01072180	Screwing in connecting piece	1	
46	00056960	Clamp	1	
47	00711670	Hose	68 lg	
48	01072130	Cover	2	
49	03000390	Sheet metal	1	

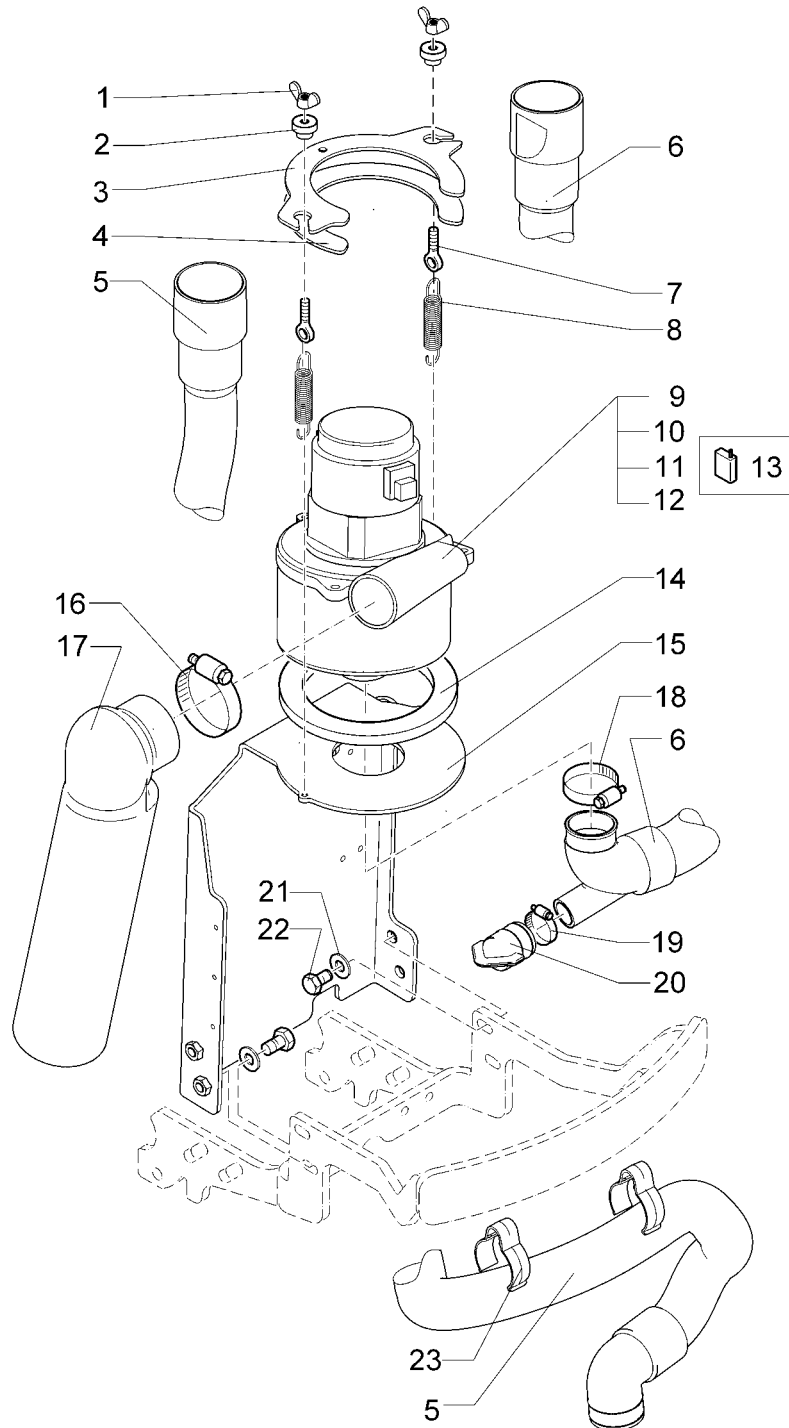
Hopper cover
Rev.C 12/11



Hopper cover (97078505)
 Rev.C 12/11

Item	Spare part number	Description	Qty.	Remarks
1	01170940	Cover, cpl.	1	
2	00051510	Hexagon nut	2	
3	00053750	Washer	4	
4	01071730	Sheet metal	1	
5	00153400	Hex.bolt	2	
6	01071740	Hex.bolt	4	
7	00902280	Washer	4	
8	01071720	Sheet metal	1	
9	01071770	Sealing profile	1780mm	
10	01170950	Plate	1	
11	00854210	Washer	7	
12	01071750	Hexagon screw	5	
13	01075580	Gasket	1	
14	01075590	Sheet metal	1	
15	00854190	Hexagon screw	2	
16	01070920	Strainer	1	
17	03000440	Flange	1	
18	01073330	Rivet	6	

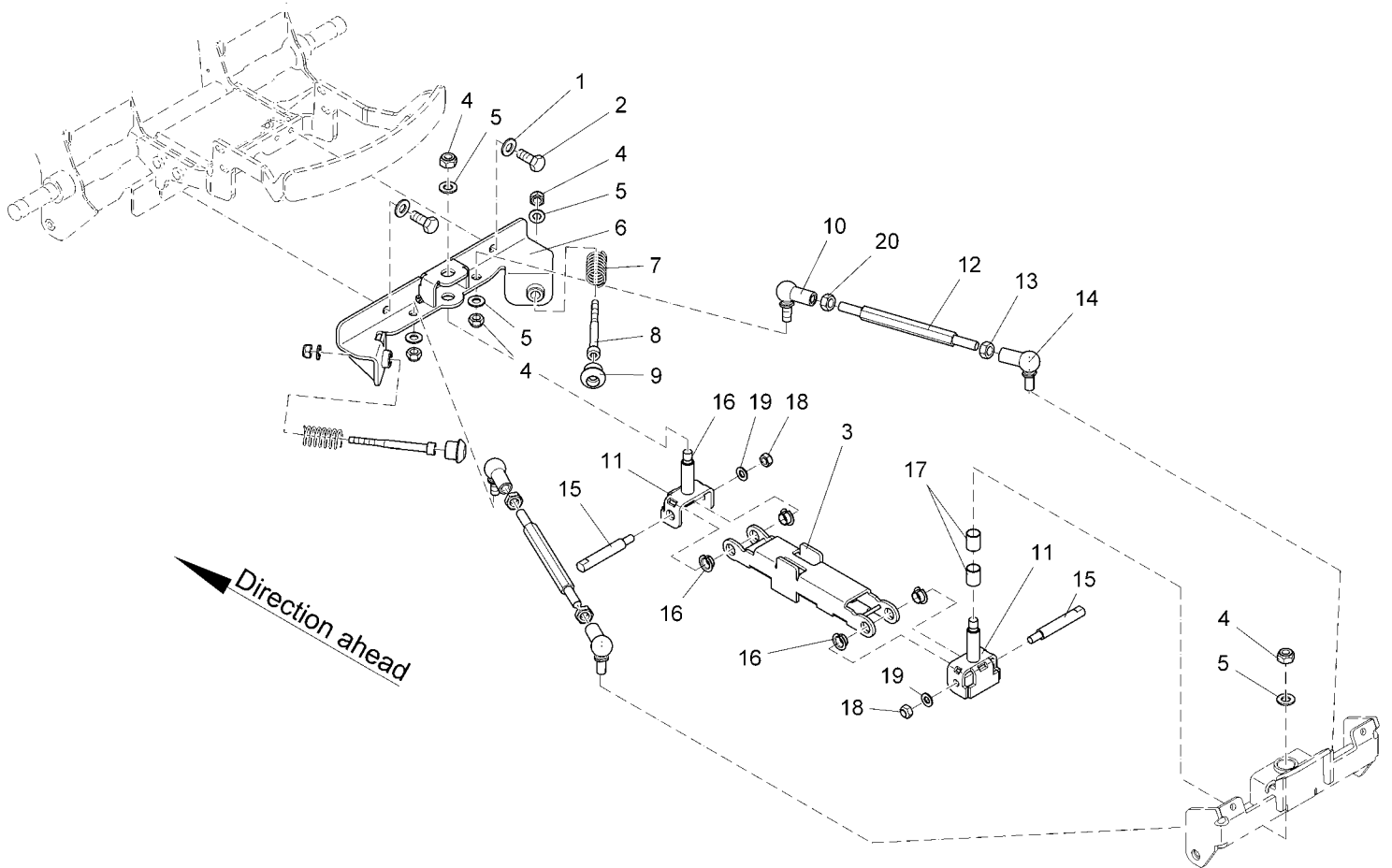
Suction unit
Rev.C 12/11



Suction unit (97079370)
Rev.C 12/11

Item	Spare part number	Description	Qty.	Remarks
1	00054020	Wing nut	2	
2	00903210	Knurled nut	2	
3	01071540	Clamping sheet metal	1	
4	01071550	Seal	1	
5	01071560	Hose	1	
6	01071570	Hose	1	
7	00508770	Eye bolt	2	
8	00109410	Tension spring	2	
9	00543510	Induction engine	1	
10	00904050	Toroidal core	1	
11	00903190	Tab	1	
12	00903180	Plastic cover	1	
13	00048840	Carbon brush	2	
14	01071580	Seal	1	
15	03000450	Support, cpl.	1	
16	00732130	Hose clamp	1	
17	00471570	Hose	1	
18	01071810	Hose clamp	1	
19	00733160	Hose clamp	1	
20	00054560	Valve	1	
21	00740090	Detent edged washer	4	
22	00077110	Hexagon screw	4	
23	01071590	Hose clip	2	

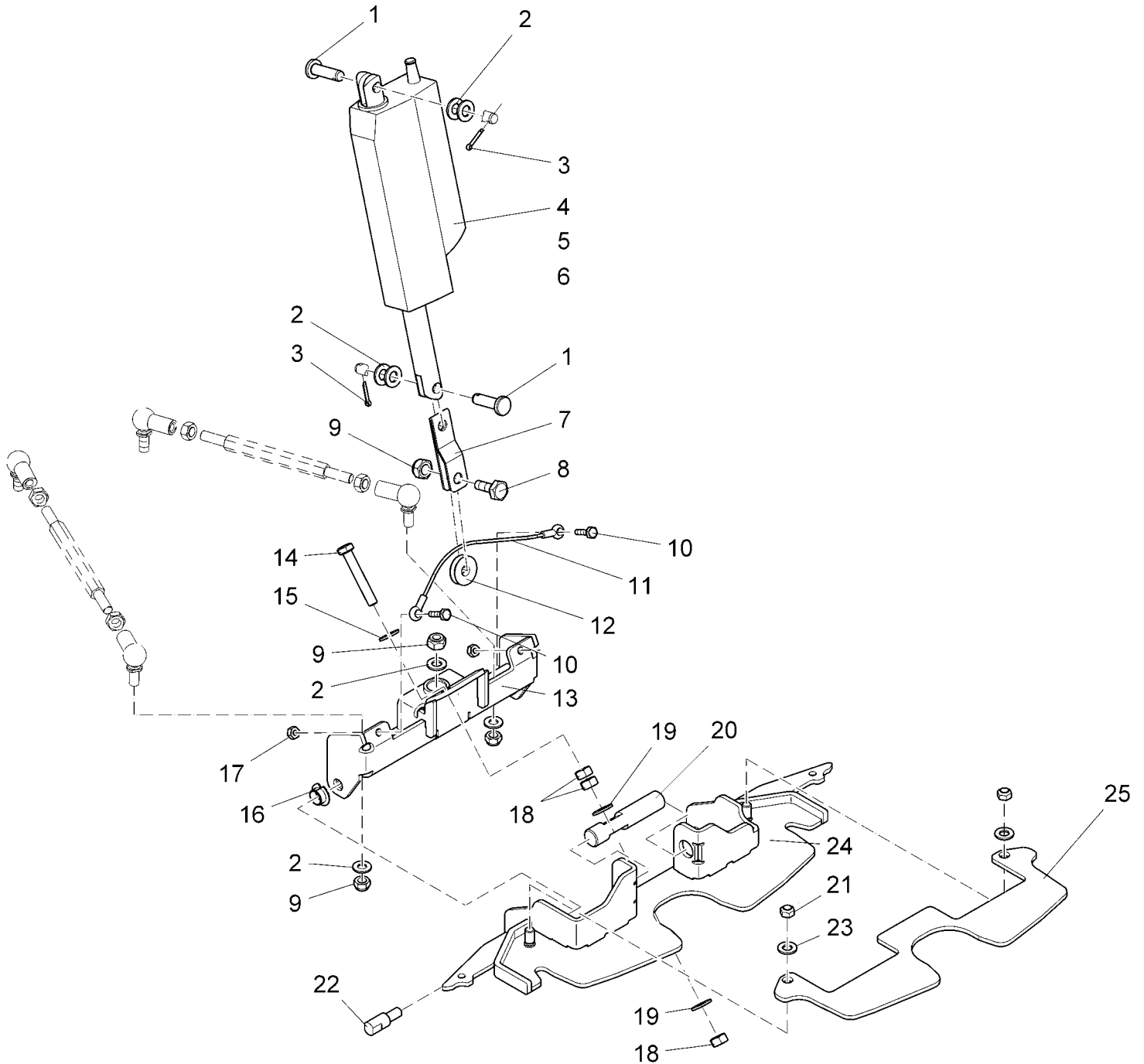
Lifting assy suction base unit part1
Rev.C 12/11



Lifting assy suction base unit part1 (97117980-1)
Rev.C 12/11

Item	Spare part number	Description	Qty.	Remarks
1	00740090	Detent edged washer	2	
2	00054690	Hexagon screw	2	
3	01178240	Retainer	1	
4	00051500	Hexagon nut	4	
5	00053760	Washer	5	
6	01178230	Retainer	1	
7	01175850	Compression spring	2	
8	00927270	Cylinder head screw	8	
9	01073100	Bushing	2	
10	00527700	Angle joint	2	
11	01177810	Fork head	2	
12	01071460	Threaded rod	2	
13	00704470	Hex. Nut	2	
14	01071490	Angle joint	2	
15	01178380	Threaded bolt	2	
16	01171330	Slide bearing bush	4	
17	01171820	Slide bearing bush	2	
18	00051510	Hexagon nut	2	
19	00053750	Washer	2	
20	00053360	Hexagon nut	2	

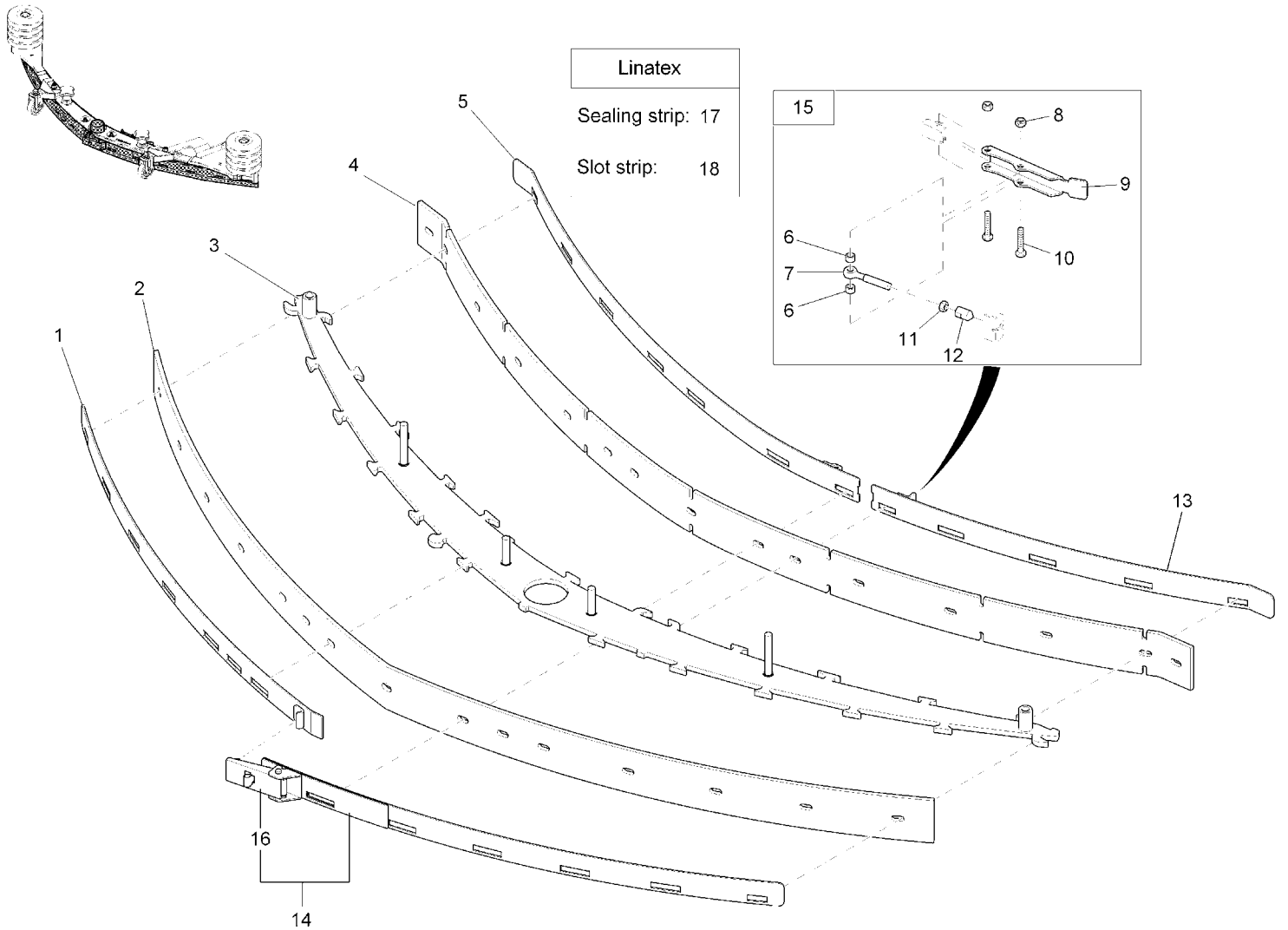
Lifting assy suction base unit part2
Rev.C 12/11



Lifting assy suction base unit part2 (97117980-2)
Rev.C 12/11

Item	Spare part number	Description	Qty.	Remarks
1	00539260	Bolt	2	
2	00053760	Washer	5	
3	00551410	Cotter pin	2	
4	00712430	Lifting element	1	
5	00903190	Tab	1	
6	00903180	Plastic cover	1	
7	01071980	Support	1	
8	00053310	Hexagon screw	1	
9	00051500	Hexagon nut	3	
10	00854190	Hexagon screw	2	
11	01071520	Guidance rope	1	
12	01071510	Roller guide	1	
13	01273310	Retainer	1	
14	00053260	Hex.bolt	1	
15	00740090	Detent edged washer	1	
16	01171330	Slide bearing bush	2	
17	00053330	Hexagon nut	2	
18	00053350	Hexagon nut	3	
19	00053750	Washer	4	
20	01171510	Pivot bolt	1	
21	00051510	Hexagon nut	2	
22	01273300	Threaded bolt	2	
23	00053750	Washer	2	
24	01273320	Plate	1	
25	01178220	Sheet metal	1	

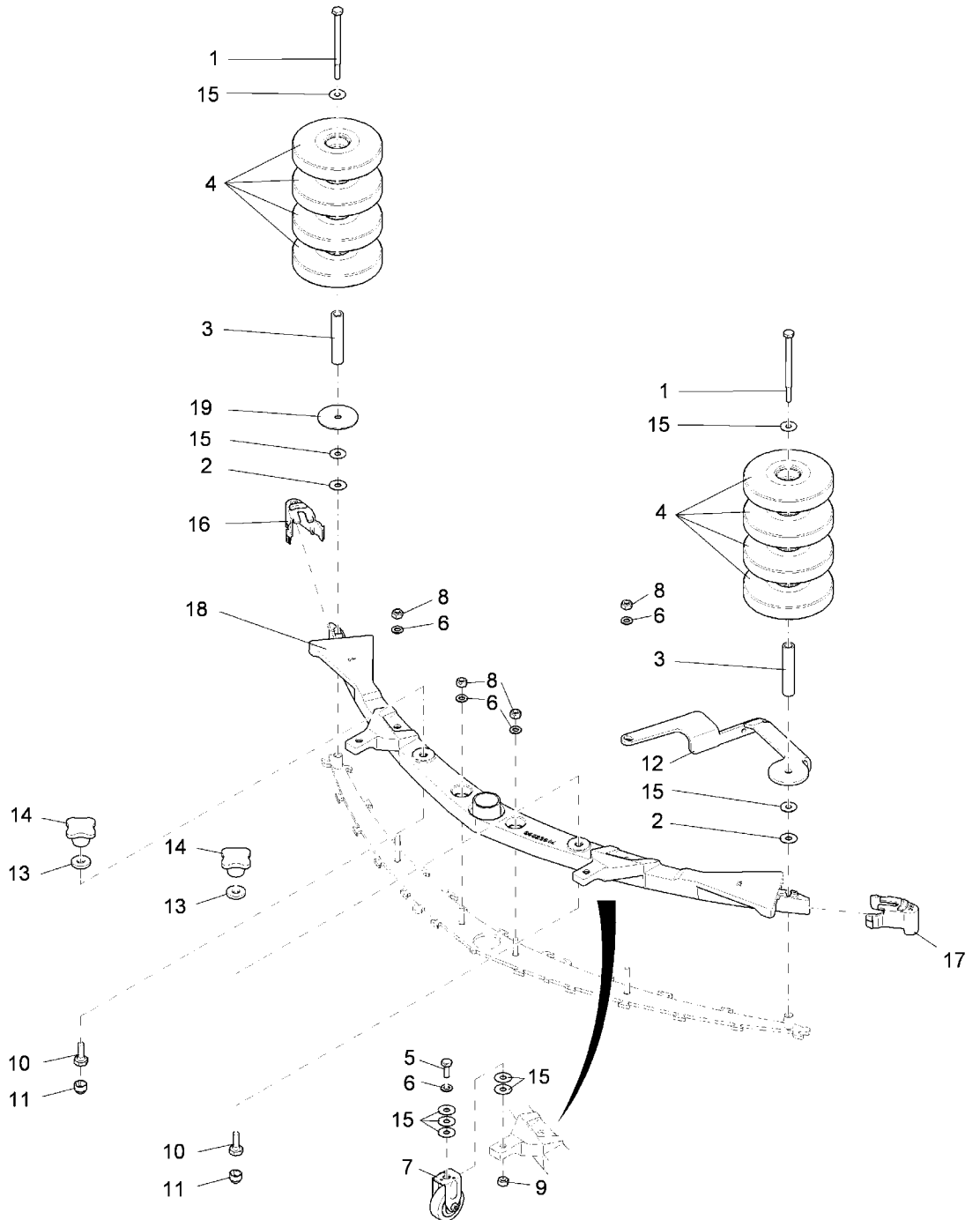
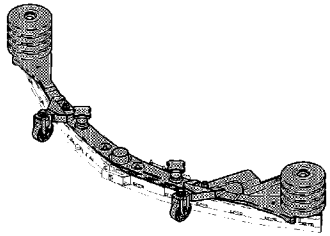
Squeegee 950mm part 1
 Rev.C 12/11



Squeegee 950mm part 1 (97108997-1)
Rev.C 12/11

Item	Spare part number	Description	Qty.	Remarks
1	01077660	Rear tension band	1	
2	01077480	Sealing strip	1	
3	01178350	Base plate	1	
4	01077470	Slot strip	1	
5	01077650	Front tension band	1	
6	01077590	Bushing	2	
7	01077500	Eye bolt	1	
8	01017660	Hex. Nut	2	
9	01077580	Lever	1	
10	01079890	Hexagon screw	2	
11	00902250	Hex. Nut	1	
12	01078090	Pressure piece	1	
13	01077640	Front tension band	1	
14	01077670	Rear tension band	1	
15	00009010	Lock suction unit	1	
16	01171810	Lock	1	
17	01179180	Sealing strip Linatex	1	for 95cm squeegee
18	01179170	Slot strip Linatex	1	for 95cm squeegee

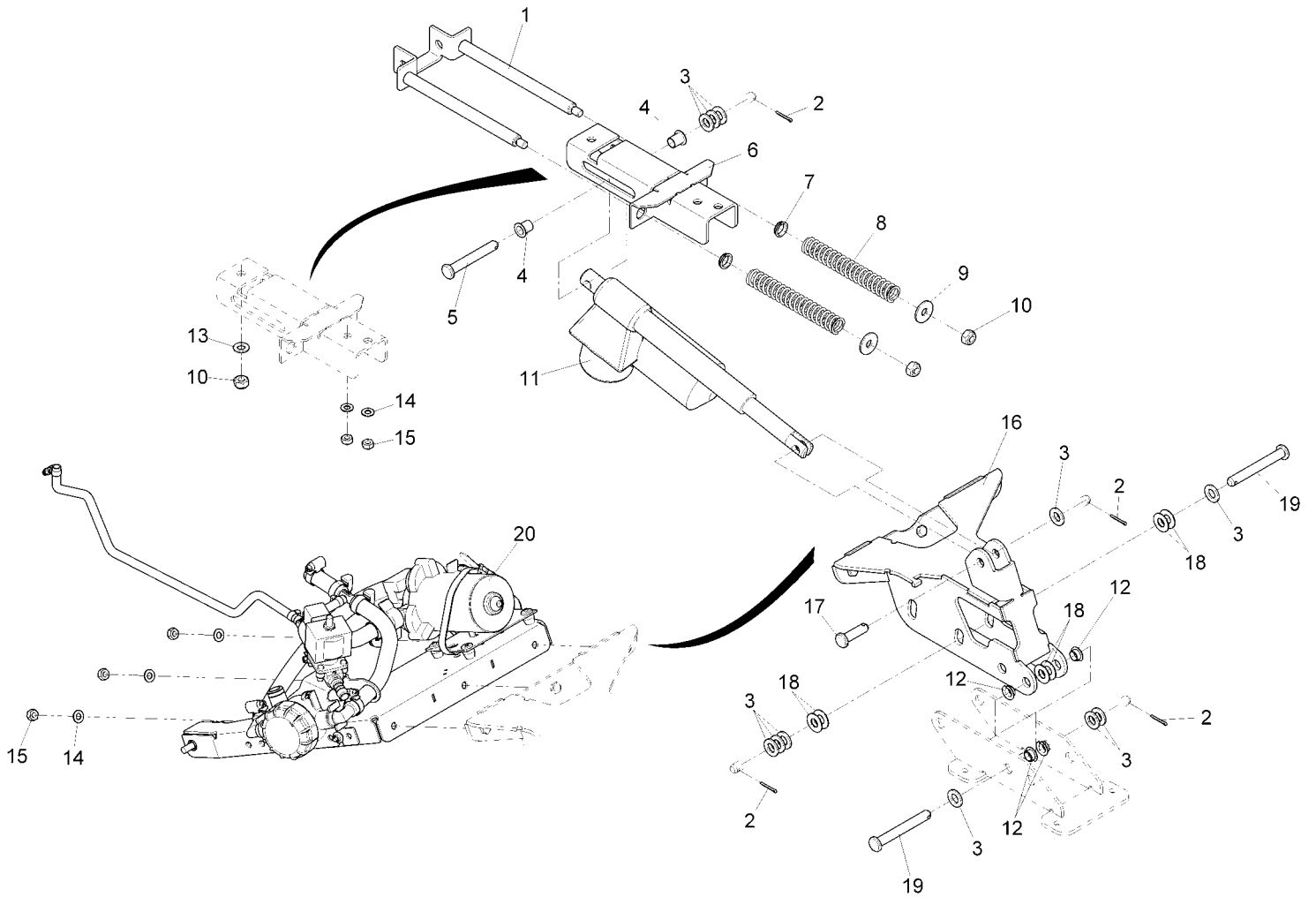
Squeegee 950mm part 2
Rev.C 12/11



Squeegee 950mm part 2 (97108997-2)
Rev.C 12/11

Item	Spare part number	Description	Qty.	Remarks
1	01176750	Hexagon screw	2	
2	00902280	Washer	1	
3	01177260	Pipe	2	
4	01171790	Deflector roller	8	
5	01162510	Hexagon screw	2	
6	00101550	Washer	6	
7	01077810	Fixed castor	2	
8	00101540	Hexagon nut	4	
9	00971400	Hexagon nut	2	
10	01019850	Hexagon screw	2	
11	00131610	Lens cap	2	
12	01177300	Bracket	1	
13	00972060	Disk wheel	2	
14	01179360	Star handle yellow	2	
15	01079080	Spacer	14	
16	01178320	Protection cap L.H.	1	
17	01178310	Protection cap R.H.	1	
18	01178340	Suction unit body 950mm	1	
19	01178290	Conical spring washer	1	

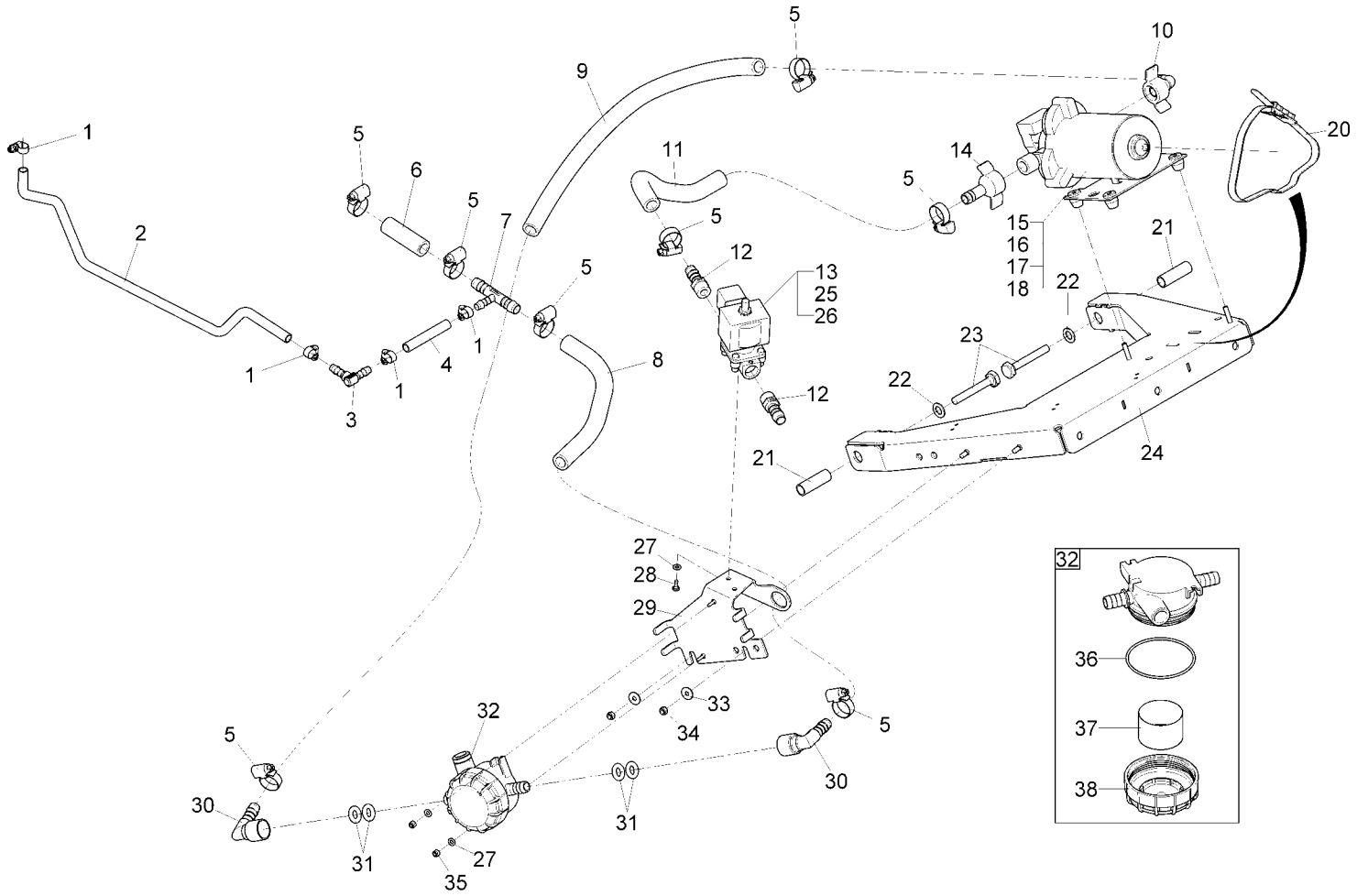
Disk brush lifting
Rev.C 12/11



Disk brush lifting (97117923-1)
 Rev.C 12/11

Item	Spare part number	Description	Qty.	Remarks
1	01273020	Guide holder	1	
2	00553580	Cotter pin	4	
3	00053770	Washer	11	
4	01072930	Plain bearing bush	2	
5	00879630	Bolt	1	
6	01274150	Retainer	1	
7	01272720	Slide bearing	2	
8	01272800	Cyl.compression spring	2	
9	00046520	Washer	2	
10	00051500	Hexagon nut	3	
11	01170430	Regulating motor	1	
12	01171330	Slide bearing bush	4	
13	00053760	Washer	1	
14	00053750	Washer	5	
15	00051510	Hexagon nut	5	
16	01274120	Rocker	1	
17	00059530	Bolt	1	
18	01102770	Approach disk	6	
19	00879650	Bolt	2	
20	97118392	Rocker cpl.	Page	40

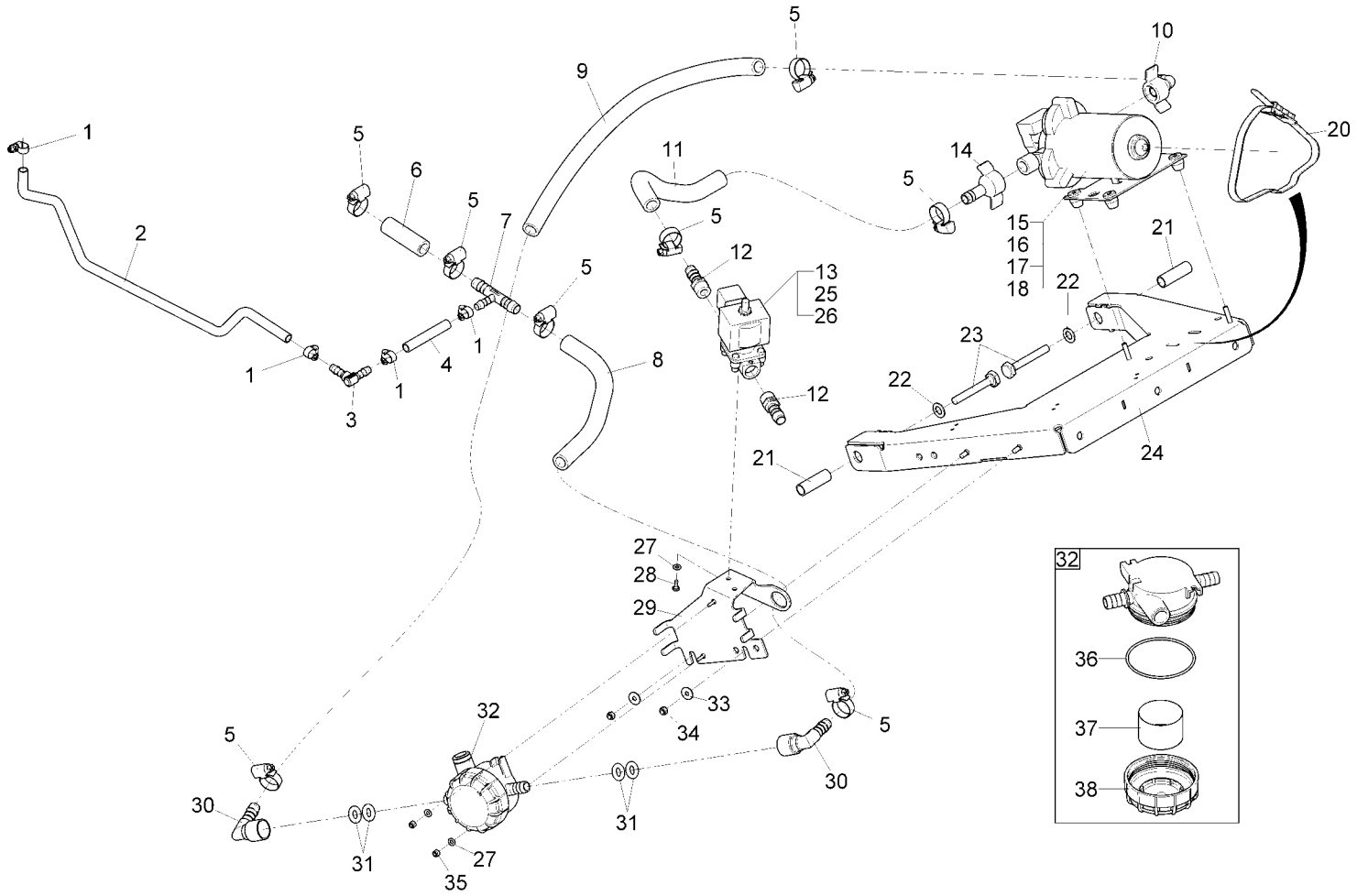
Rocker cpl.
Rev.C 12/11



Rocker cpl. (97118392)
Rev.C 12/11

Item	Spare part number	Description	Qty.	Remarks
1	00529390	Hose clamp	4	
2	00711670	Hose	500 mm	
3	01073010	Angle connection piece	1	
4	00711670	Hose	70 mm	
5	01015350	Hose clamp	8	
6	00200170	PVC hose	60 mm	
7	01073020	T-piece	1	
8	00200170	PVC hose	260 mm	
9	00200170	PVC hose	440 mm	
10	00154140	Screwed angle fitting	1	
11	00200170	PVC hose	200 mm	
12	00976140	Screwing in connecting piece	2	
13	01071000	Electrovalve	1	
14	01071450	Screwing	1	
15	00543750	Pump	1	
16	01135470	pin housing	1	
17	01063790	Pin contact	2	
18	00903580	Gasket	2	
20	01073340	Cable tie	1	
21	01073350	Pipe	2	
22	00962220	Washer	2	
23	00151790	Hexagon screw	2	
24	01273170	Lifting fork	1	
25	03007630	Sealing band	400 mm	
26	03006960	Sealing compound	10 mm	
27	00053710	Washer	4	
28	00058580	Hex.bolt	2	
29	01273160	Retainer	1	
30	01173170	Hose coupling	2	
31	01171860	O-ring	4	
32	01077170	Water filter	1	
33	00555520	Washer	2	
34	00051340	Hexagon nut	2	
35	00133830	Hex. Nut	2	

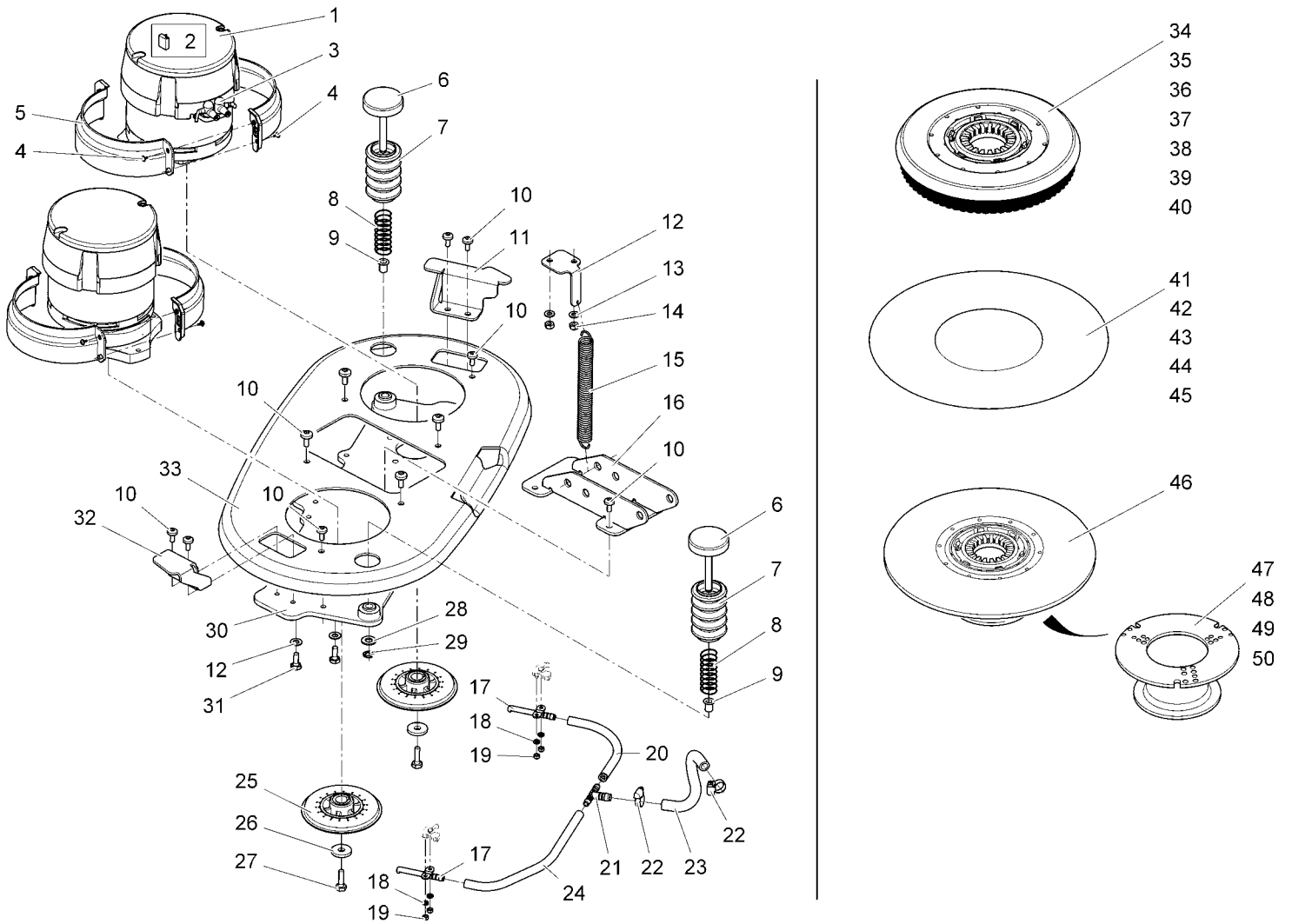
Rocker cpl.
 Rev.C 12/11



Rocker cpl. (97118392)
Rev.C 12/11

Item	Spare part number	Description	Qty.	Remarks
36	01178130	O-ring	1	
37	01178210	Strainer	1	
38	01177090	Filter cover	1	

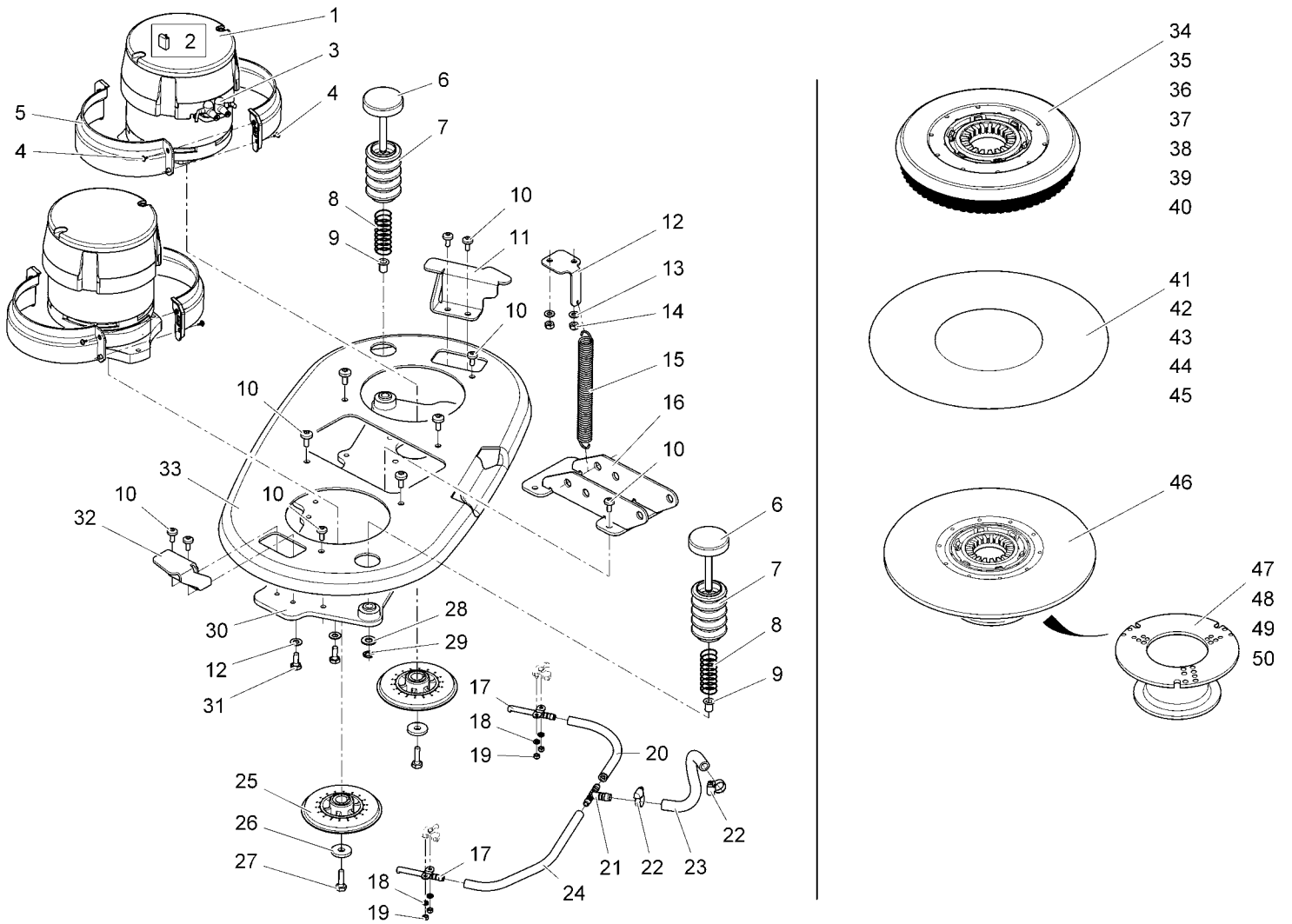
Disk brush head
Rev.C 12/11



Disk brush head (97115588)
Rev.C 12/11

Item	Spare part number	Description	Qty.	Remarks
1	01272060	Motor Amer 710W 24V	2	
2	01272100	Set (4pc.) carbon brush	1	
3	01078070	Protection cap	4	
4	01170850	Screw	8	
5	01271080	Splash guard	4	
6	01078000	Ejector	2	
7	01078350	Bellow	2	
8	01078340	Compression spring	2	
9	01078360	Slide bearing bush	2	
10	01272710	Lens head screw	14	
11	01273990	Retainer	1	
12	01274030	Retainer	1	
13	00053750	Washer	2	
14	00051510	Hexagon nut	2	
15	01274040	Tension spring	1	
16	01274130	Retainer	1	
17	00861700	Spray tube	2	
18	00053730	Washer	4	
19	00051520	Hexagon nut	4	
20	00180190	Hose	180mm	
21	00901310	T-reducer muff	1	
22	01015350	Hose clamp	2	
23	00200170	PVC hose	270mm	
24	00180190	Hose	250mm	
25	00512400	Carrier	2	
26	00879170	Washer	2	
27	00025000	Hex.bolt	2	
28	00053760	Washer	2	
29	00046280	Thrust washer	2	
30	01274140	Plate	1	
31	00704610	Hex.bolt	8	
32	01274000	Retainer	1	
33	01273960	Hood	1	
34	99751400	Brush 380 PPN 0,5	2	

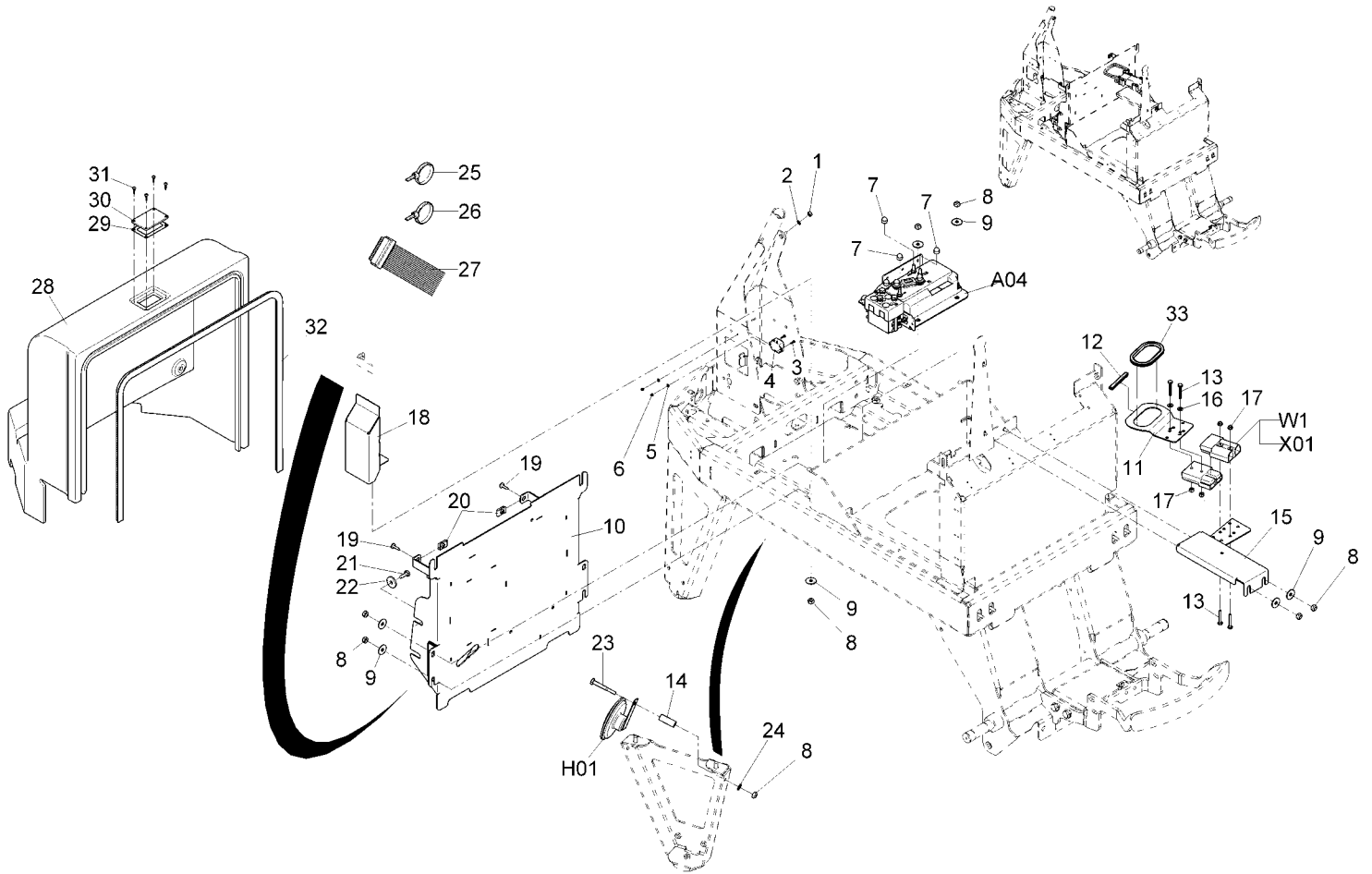
Disk brush head
Rev.C 12/11



Disk brush head (97115588)
Rev.C 12/11

Item	Spare part number	Description	Qty.	Remarks
35	99751800	Brush 380 K 901	2	
36	99751600	Brush D = 380 PPN 0,8	2	
37	99730800	Plate brush 380 SiC 6.12	2	
38	99752000	Brush 380 SIC-PA 6	2	
39	99752200	Brush 380 SIC-PA 6.12	2	
40	XXXXXXXX	no part-No. til yet	2	
41	99752605	Carton pad red 15" (5pcs)	1	
42	99787205	Carton pad green 15" (5pcs)	1	
43	99752805	Carton pad brown 15" (5pcs)	1	
44	99753005	Carton pad black 15" (5pcs)	1	
45	99708602	Micro-fibre pad 15"	2	
46	99752400	Pad holder	1	
47	00681500	Center-lock, lower part	1	
48	00961490	Self tapping screw	3	
49	00681490	Center-lock, upper part	1	
50	00712010	Center-lock, cpl.	1	

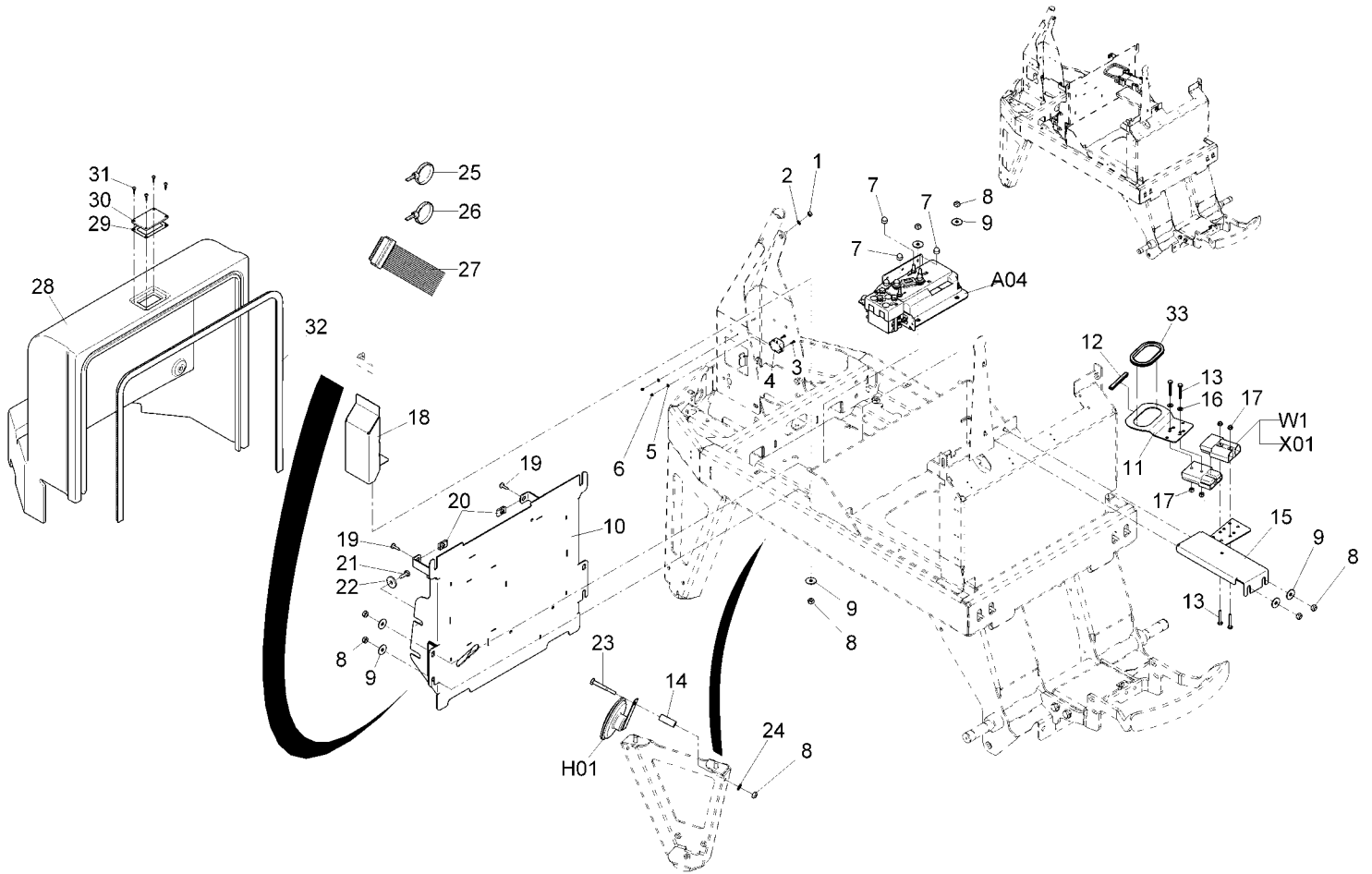
Electrics, part 1
Rev.C 12/11



Electrics, part 1 (97116735-1)
Rev.C 12/11

Item	Spare part number	Description	Qty.	Remarks
1	00053330	Hexagon nut	1	
2	01072030	Toothed washer	1	
3	00042350	Hex.bolt	2	
4	00745850	Signal transmitter	1	
5	00553740	Washer	2	
6	00022200	Hex. Nut	2	
7	00525910	Lens cap	3	
8	00051510	Hexagon nut	10	
9	00042900	Washer	9	
10	03010260	Elctronic box	1	
11	01056090	Handle	1	
12	00721090	Edge protection	700mm	
13	00053290	Hexagon screw	2	
14	00073410	Bushing	1	
15	03000560	Support	1	
16	00053730	Washer	2	
17	00051520	Hexagon nut	2	
18	01274060	Ventilation duct	1	
19	00740900	Tapping screw	4	
20	01175860	Snap nut	4	
21	00053090	Hexagon screw	4	
22	00879170	Washer	4	
23	00074260	Hex.bolt	1	
24	00053750	Washer	1	
25	00121150	Cable tie	35	
26	00967760	Cable tie	12	
27	01273970	Ribbon cable	1	
28	03000530	Covering for electric	1	
29	01072060	Seal	1	
30	01072050	Inspection glass	1	
31	00902430	Self tapping screw	4	
32	01272770	Sealing profile	1150 mm	
33	00721090	Edge protection	2220mm	
A04	97115389	Driving control	Page	52

Electrics, part 1
Rev.C 12/11



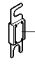

Electrics, part 1 (97116735-1)
Rev.C 12/11

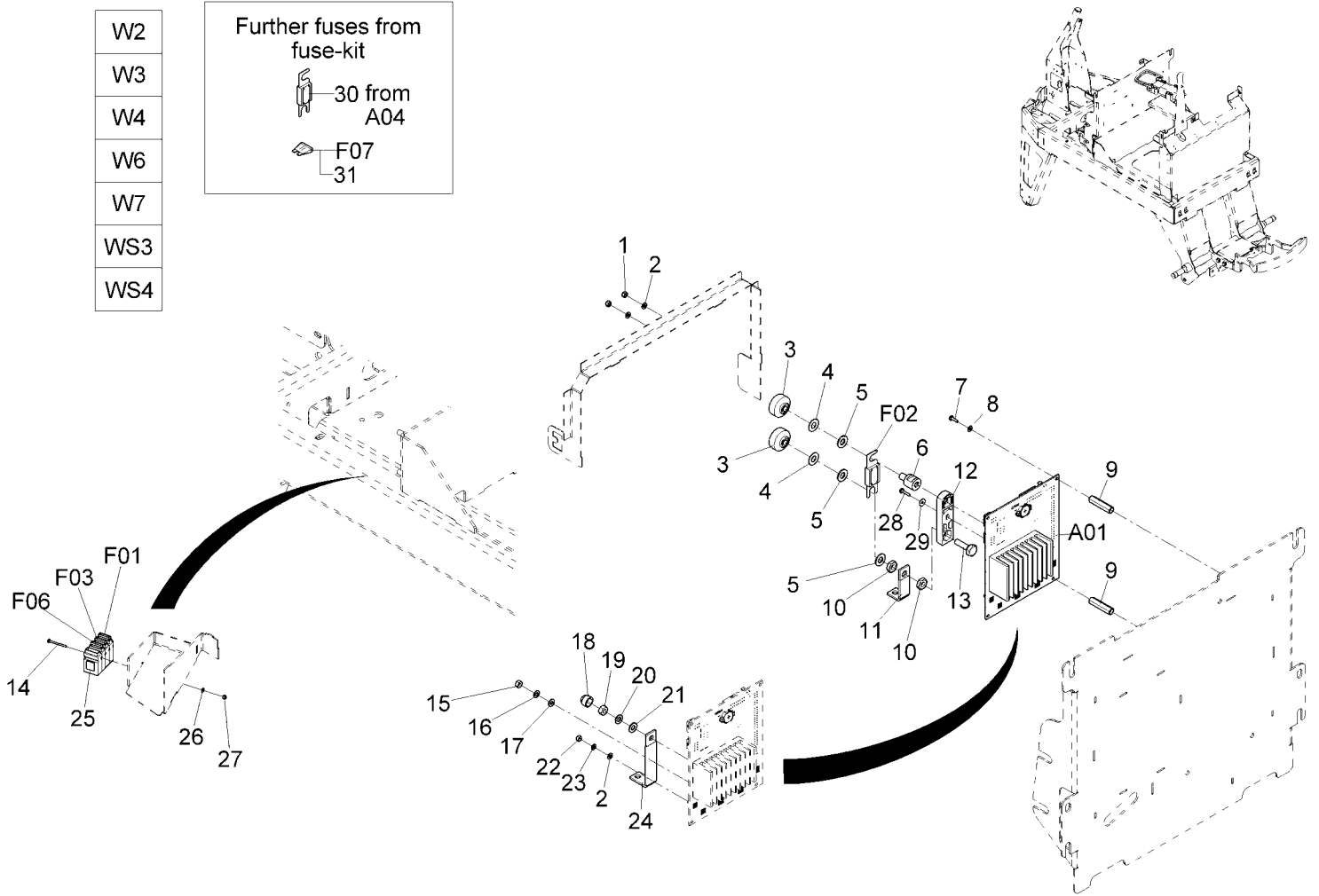
Item	Spare part number	Description	Qty.	Remarks
H01	00852420	Signal horn	1	
W1	03010540	Wiring harness W1	1	
X01	01075720	Connector	2	

Driving control (97115389)
 Rev.C 12/11

Item	Spare part number	Description	Qty.	Remarks
1	00131610	Lens cap	1	
2	01274240	Current bar	1	
3	00525910	Lens cap	3	
4	00053330	Hexagon nut	1	
5	00053400	Lock washer	1	
6	01079060	Driving control	1	
7	03003000	Transparency	1	
8	00133830	Hex. Nut	6	
9	00053710	Washer	8	
10	01274250	Cooling plate	1	
11	00903280	Hex.bolt	4	
12	00523520	Hex.bolt	2	
13	00557150	Washer	4	
K05	01079030	Reversion contactor	1	

W2
W3
W4
W6
W7
WS3
WS4

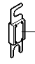

Further fuses from fuse-kit
 30 from A04
 F07 31

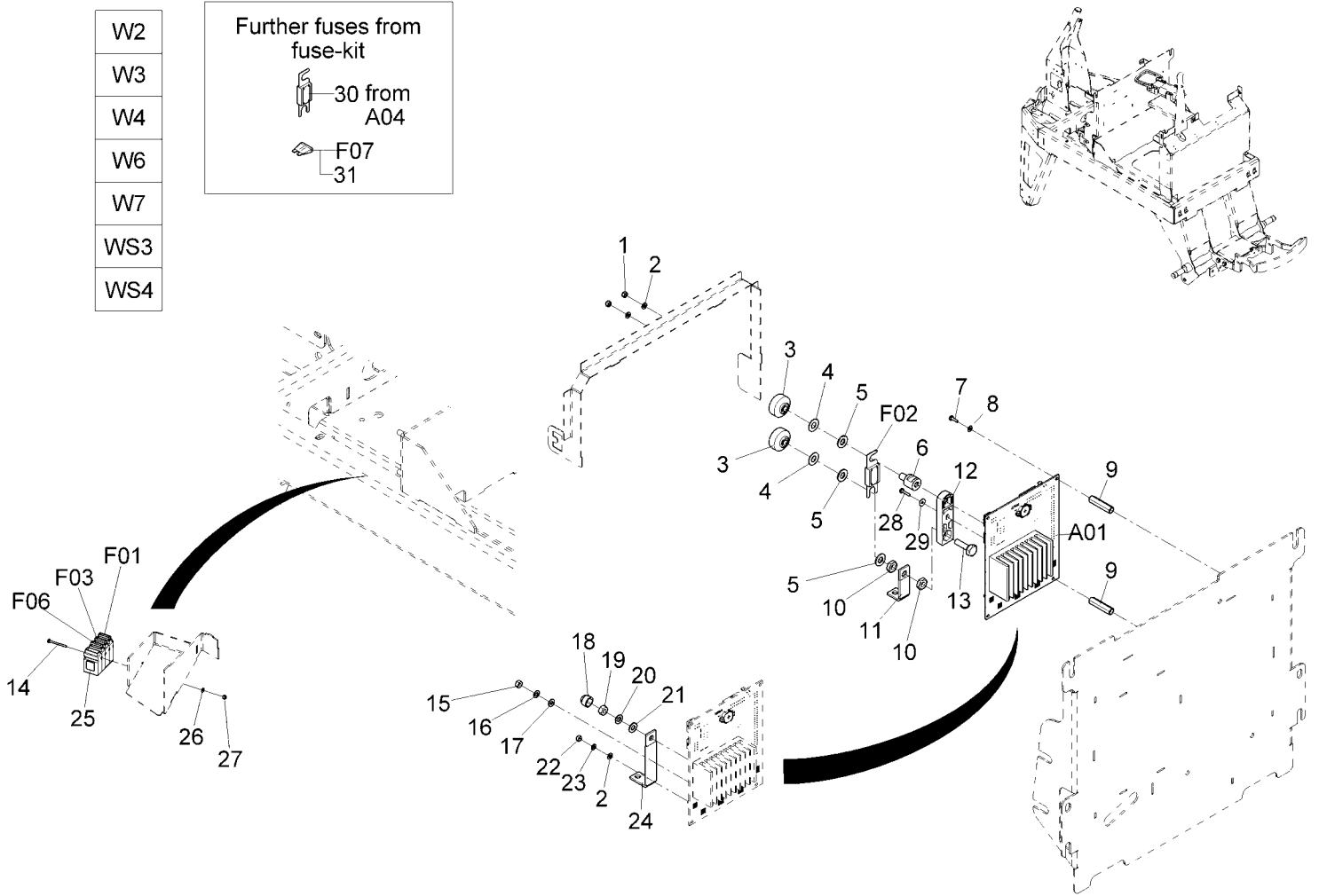


Electrics, part 2 (97116735-2)
Rev.C 12/11

Item	Spare part number	Description	Qty.	Remarks
1	00051340	Hexagon nut	2	
2	00053720	Washer	4	
3	01273870	Knurled knob	2	
4	00053860	Spring washer	2	
5	01273880	Washer	3	
6	01273940	Screw	1	
7	00023080	Hex.bolt	3	
8	00053710	Washer	3	
9	01273950	Screwing	4	
10	01273860	Hexagon nut	2	
11	01274080	Current bar	1	
12	01273930	Fuse holder	1	
13	01273850	Hexagon screw	1	
14	01072070	Fillister-head screw	2	
15	00053330	Hexagon nut	3	
16	00053400	Lock washer	3	
17	00053730	Washer	3	
18	00131610	Lens cap	1	
19	00053350	Hexagon nut	1	
20	00053410	Lock washer	1	
21	00053750	Washer	1	
22	00053320	Hex. Nut	2	
23	00054170	Lock washer	2	
24	01274070	Current bar	1	
25	00733650	Fuse holder	4	
26	00553740	Washer	2	
27	00022200	Hex. Nut	2	
28	00523520	Hex.bolt	1	
29	00557150	Washer	1	
30	01058960	Fuse	1	from drive control A04
31	00733630	Fuse	1	
A01	01273590	Controller	1	
F01	00509550	Fuse	1	Control voltage
F02	00059580	Fuse	1	

W2
W3
W4
W6
W7
WS3
WS4

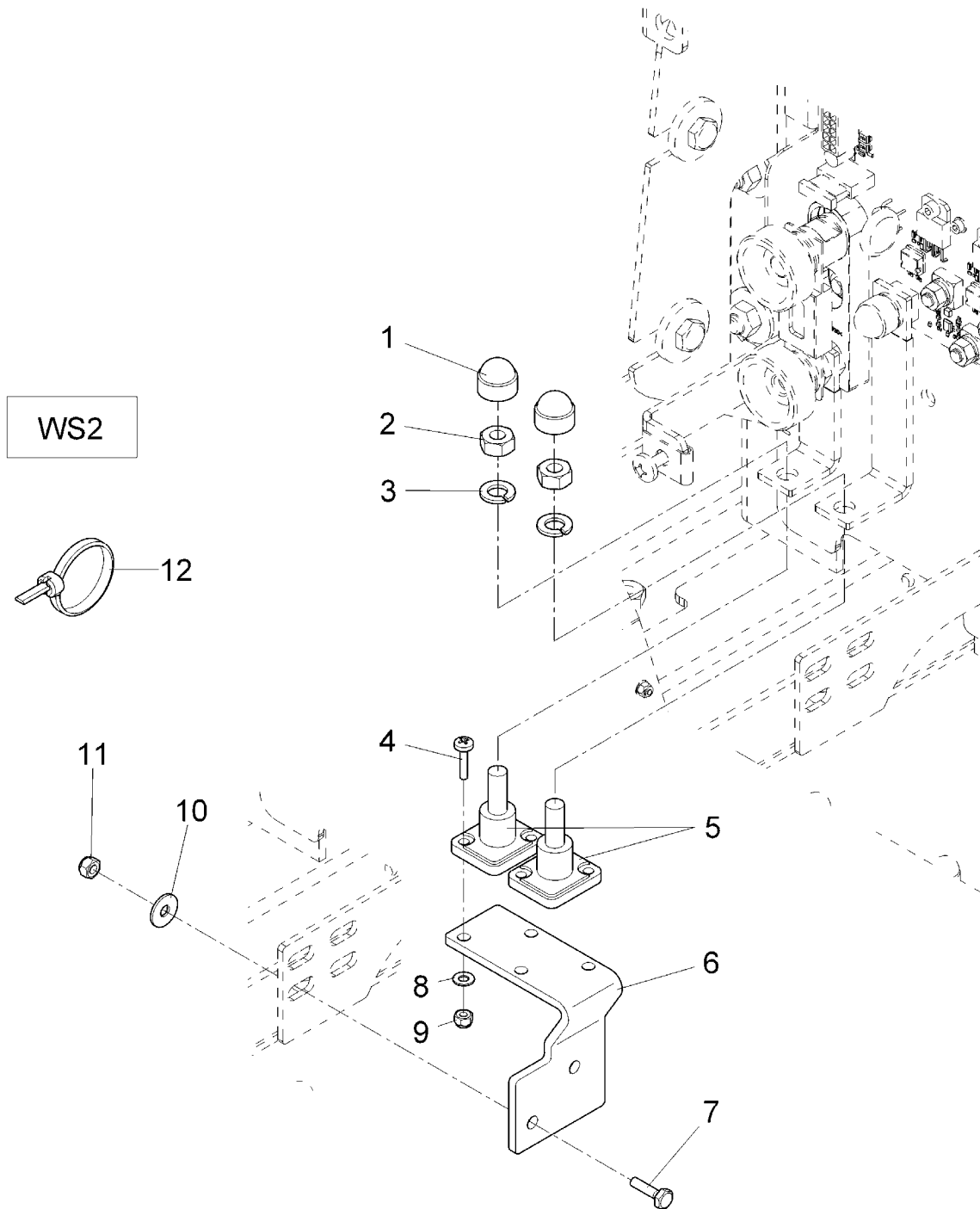
Further fuses from fuse-kit
 30 from A04
 F07 31



Electrics, part 2 (97116735-2)
 Rev.C 12/11

Item	Spare part number	Description	Qty.	Remarks
F03	00906120	Fuse	1	Horn
F06	00906120	Fuse	1	Work light
F07	00972430	Fuse link	1	Solution dosage
W2	03009890	Wiring harness W2	1	
W3	03009910	Wiring harness W3	1	
W4	03009920	Wiring harness W4	1	
W6	03010480	Wiring harness W6	1	
W7	03010490	Wiring harness W7	1	
WS3	03010500	Wiring harness WS3	1	
WS4	03010510	Wiring harness WS4	1	

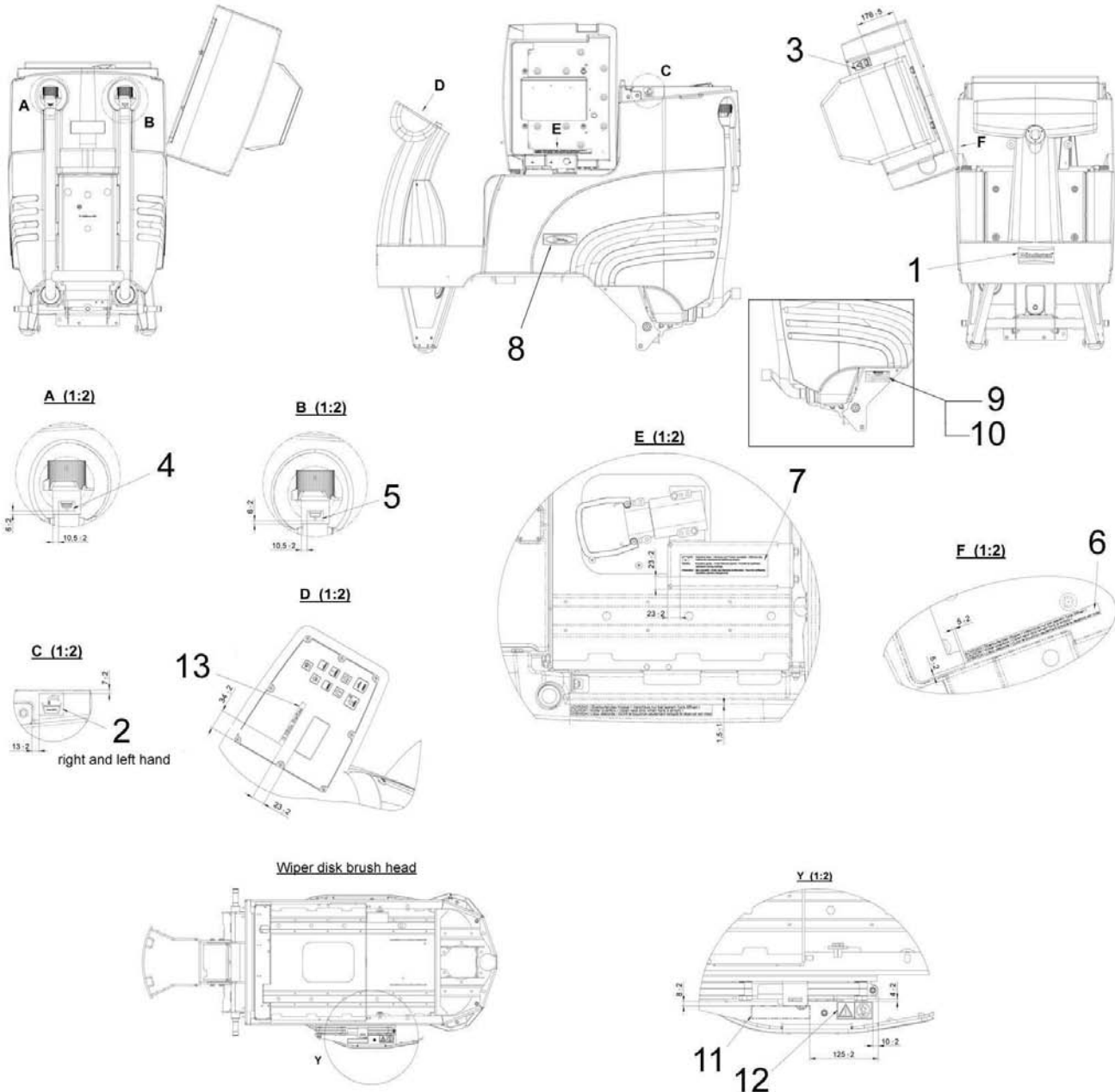
Wiring without On-board-charger
Rev.C 12/11



Wiring without On-board-charger (97116743)
 Rev.C 12/11

Item	Spare part number	Description	Qty.	Remarks
1	00131610	Lens cap	2	
2	00053350	Hexagon nut	2	
3	00053410	Lock washer	2	
4	00731550	Fillister-head screw	4	
5	00744670	Single clamp	2	
6	XXXXXXXX	no part-No. til yet	1	90605973 Retainer
7	00054410	Hex.bolt	2	
8	00053710	Washer	4	
9	00133830	Hex. Nut	4	
10	00555520	Washer	2	
11	00051340	Hexagon nut	2	
12	00121010	Cable tie	1	
WS2	03010530	Wiring harness WS2	1	

Labels
Rev.C 12/11



Labels (97116560)
Rev.C 12/11

Item	Spare part number	Description	Qty.	Remarks
1	03009000	Decal MINUTEMAN	1	
2	01074400	Decal caustic solution tank	2	
3	01071710	Decal "Instruction manual"	1	
4	01170060	Decal FOUL WATER	1	
5	01170150	Decal SOLUTION TANK	1	
6	01175810	Decal CAUTION	2	
7	01174740	Decal explosive gazes	1	
8	03009010	Decal ERIDE 30	2	
9	03008630	Type plate MINUTEMAN	1	
10	01073790	Blind rivet	2	
11	01273910	Decal 750/30	1	
12	01272760	Decal KEEP OFF	1	
13	03009020	Decal ERIDE Series	1	

Minuteman International Made Simple Commercial Limited Warranty

Minuteman International, Inc. warrants to the original purchaser/user that the product is free from defects in workmanship and materials under normal use. Minuteman will, at its option, repair or replace without charge, parts that fail under normal use and service when operated and maintained in accordance with the applicable operation and instruction manuals. All warranty claims must be submitted through and approved by factory authorized repair stations.

This warranty does not apply to normal wear, or to items whose life is dependent on their use and care, such as belts, cords, switches, hoses, rubber parts, electrical motor components or adjustments. Parts manufactured by Minuteman are covered by and subject to the warranties and/or guarantees of their manufacturers. Please contact Minuteman for procedures in warranty claims against these manufacturers.

Special warning to purchaser -- Use of replacement filters and/or prefilters not manufactured by Minuteman or its designated licensees, will void all warranties expressed or implied. A potential health hazard exists without original equipment replacement.

All warranted items become the sole property of Minuteman or its original manufacturer, whichever the case may be.

Minuteman disclaims any implied warranty, including the warranty of merchantability and the warranty of fitness for a particular purpose. Minuteman assumes no responsibility for any special, incidental or consequential damages.

This limited warranty is applicable only in the U.S.A. and Canada, and is extended only to the original user/purchaser of this product. Customers outside the U.S.A. and Canada should contact their local distributor for export warranty policies. Minuteman is not responsible for costs or repairs performed by persons other than those specifically authorized by Minuteman. This warranty does not apply to damage from transportation, alterations by unauthorized persons, misuse or abuse of the equipment, use of non-compatible chemicals, or damage to property, or loss of income due to malfunctions of the product.

If a difficulty develops with this machine, you should contact the dealer from whom it was purchased.

This warranty gives you specific legal rights, and you may have other rights which vary from state to state. Some states do not allow the exclusion or limitation of special, incidental or consequential damages, or limitations on how long an implied warranty lasts, so the above exclusions and limitations may not apply to you.

Cord Electric Group Three years parts, two years labor, ninety days travel (Not to exceed two hours)

Exceptions..... Port-A-Scrub, one year parts, six months labor
MPV 13, one year parts
V-14, one year parts, one year labor
MPV 14 and 18, two years parts, one year labor
RapidAir blower, one year parts, one year labor
Explosion-Proof Vacuum, one year parts, one year labor
X12 and X12H, one year parts, one year labor
TRS 14, one year parts, one year labor

Battery Operated Group..... Three years parts, two years labor, ninety days travel
(Not to exceed two hours)

Exceptions..... Sweepers, one year parts, one year labor, ninety days travel
(Not to exceed two hours)

Internal Combustion Group....One year parts, one year labor, ninety day travel
(Not to exceed two hours)

Battery Chargers.....One year replacement

Replacement Parts.....Ninety days

Batteries.....0-3 months replacement, 4-12 months pro-rate

Polypropylene Plastic Tanks...Ten years, no additional labor